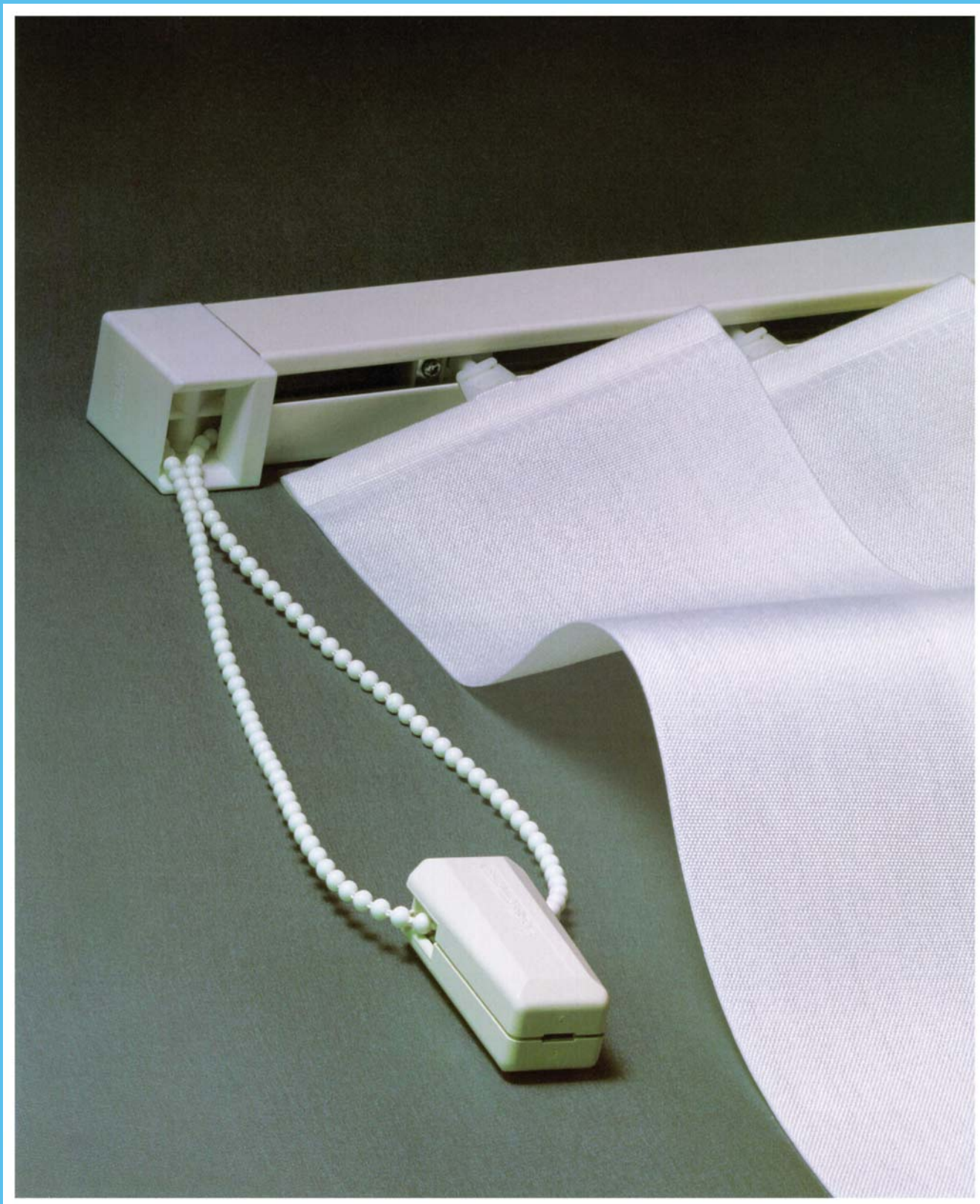
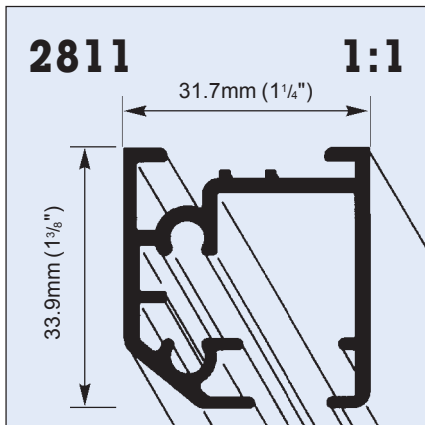


Vertical Blind System Silent Gliss® 2800

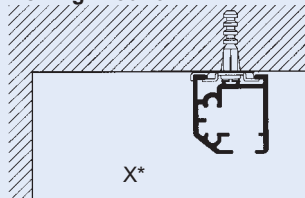


Vertical Blind System Silent Gliss® 2800



Installation

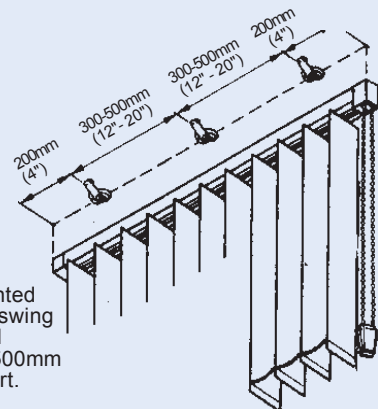
Ceiling Mount



*Minimum Distance per louver

64mm (2 1/2") louver:	55mm (2")
89mm (3 1/2") louver:	65mm (2 1/2")
127mm (5.0") louver:	85mm (3 3/8")

Surface Mounted using #3004 swing clamp approx. 300-500mm (12"-20") apart.

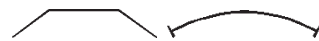


Product Information

- #2800 trouble-free mono-control bead chain operation. Unique rotation elements with built-in override protection. Open-close-traverse with one action
- Ideal for contract or residential use
- No confusion or tangling of cords/chains as with normal dual operation systems
- Uniquely varied stacking arrangements including multiple and assymetrical (unequal) stacking. Making it ideal for patio doors
- Ceiling, recess or wall mount
- Available in standard clear anodized
- Louver widths 64mm (2 1/2"), 89mm (3 1/2"), 127mm (5")
- Maximum recommended system widths for straight installations with soft fabric;

Vane Width	Split Draw
64mm (2 1/2")	320cm (128")
89mm (3 1/2")	460cm (180")
127mm (5.0")	550cm (216")

- Can be curved for bay and bow windows maximum system widths with soft fabrics



Vane Width	Split Draw
64mm (2 1/2")	240cm (96")
89mm (3 1/2")	365cm (144")
127mm (5.0")	400cm (156")

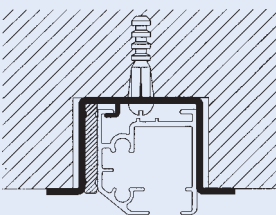
- Can be arched or sloped (consult with Silent Gliss). For rotation only.



- 5 Year Limited Warranty

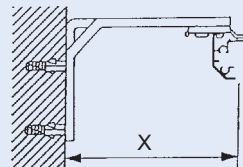
Recessed Mount

Recess mount into ceiling using #2732 recess profile with #2733 clamp bar.



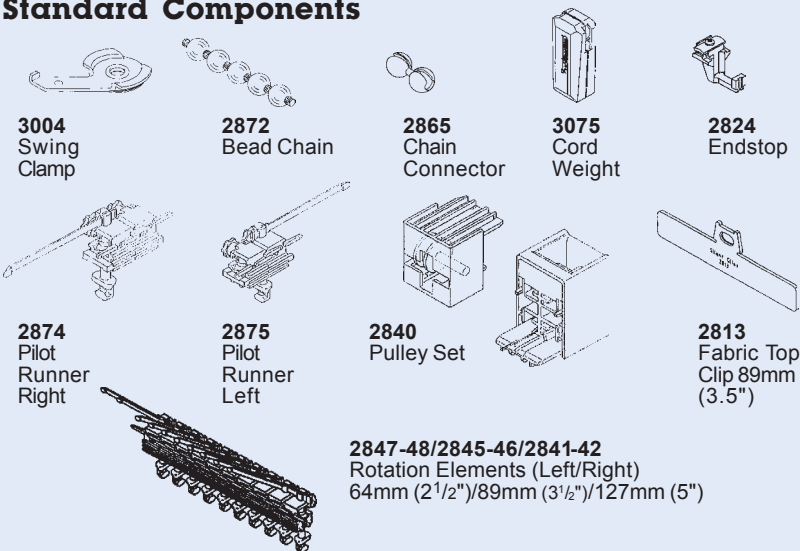
Wall Mount

Use #0829 or #0831 extension brackets with #3041 clamp for wall mounting. Space brackets approx. 600-1000mm (24"-39") apart.



Bracket	X
0829	64- 89mm (2 1/2- 3 1/2")
0831	95-114mm (3 3/4- 4 1/2")

Standard Components



Optional Components

