

Duette Simplicity®

“It Goes Anywhere”

A simple solution for out-of-the-way rectangular windows. It simply goes anywhere – over skylights, verticals, bottom stacks, even windows on slanted walls.

- Smooth, manual operation with optional extension pole.
- Vertical or horizontal pleats; decorative handle.
- Easy, secure installation; inside or outside mount.
- Maximum width and height – 5 feet by 5 feet.
- Beautiful color and fabric choices.
- Pleats hold their crisp, tailored shape even over large windows.
- Exclusive Lifetime Limited Warranty.



Hardware System

Aluminum extruded side track and headrail available in bronze, silver and white

Acetal plastic traveling rail end cap

Constant tension cording system

Polycarbonate handle

Fabric and Pleat Options

Duette Classic™ 3/8"

Duette Chinoise™ 3/8"*

Duette Eclipse II™ 3/8"

Duette Commercial™ 3/8", 3/4"

Duette Elite™ 3/4"

Duette Expressions™ 3/4"*

Duette Sheer Visuale™ 3/4"*

Duette Eclipse™ 3/4"

Duette Phenomena 3™ 3/8" pleats*

Contact your retailer for further specifications and individual fabric types.

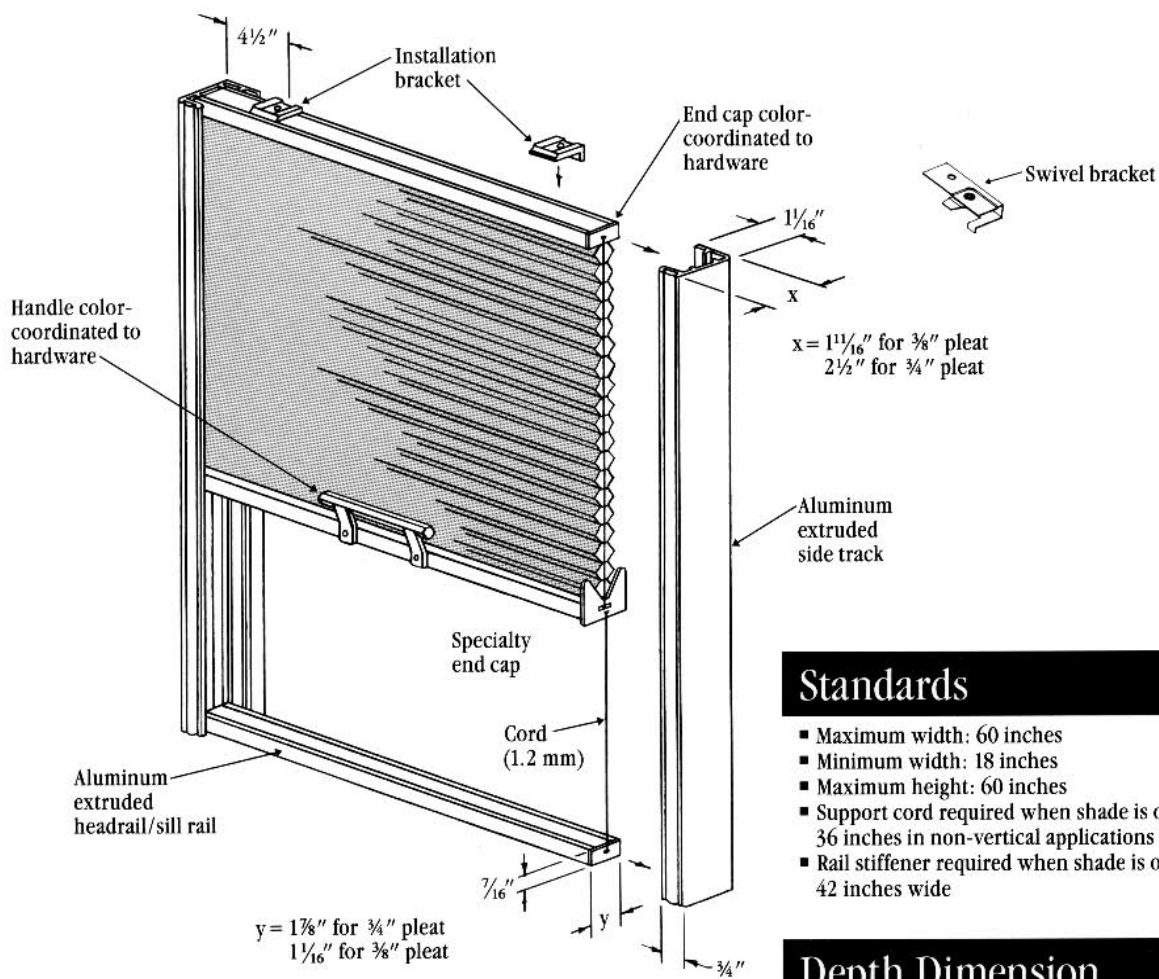
*Recommended where plane of shade is vertical. Duette Chinoise™ fabric pleats must be used in horizontal position only.



Hunter Douglas: your source for Duette shades, Silhouette® shadings, pleated shades, horizontal and vertical blinds, and coordinated fabrics.

Duette Simplicity®

“It Goes Anywhere”



Standards

- Maximum width: 60 inches
- Minimum width: 18 inches
- Maximum height: 60 inches
- Support cord required when shade is over 36 inches in non-vertical applications only
- Rail stiffener required when shade is over 42 inches wide

Depth Dimension

Minimum for flush mount:

- 3/8" pleat: 1 11/16 inches
- 3/4" pleat: 2 1/2 inches
- Phenomena 3™: 2 1/2 inches

Minimum for inside mount:

- 3/8" pleat: 7/8 inch
- 3/4" pleat: 1 1/8 inches
- Phenomena 3™: 1 1/8 inches

Ordering Notes

Inside Mount

a. For width, measure inside window frame at top, middle, and bottom; supply the narrowest measurement.

b. For height, measure inside height of window frame; supply the longest height. Deductions for inside installation will be taken at the factory.

Outside Mount

a. Measure desired height and width of shade.

b. Allow for moldings or obstructions.

Applications

For rectangular windows only

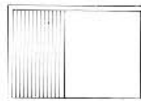
Fabric position:



(ST)
Stack Top



(SB)
Stack Bottom

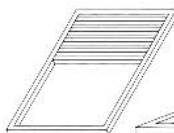


(SS)
Side Stack

Window position:



(1)
Standard



(2)
Sloped



(3)
Flat

Operation Options

- Manual operation only
- Handle
- Telescopic pole extends to 116"

Hardware Colors

- White
- Bronze
- Silver

© Hunter Douglas Duette Window Fashions 1992

® Hunter Douglas Product

This product is covered by one or more of the following U.S. Patents, in addition to many foreign patents and other pending U.S. Patents, 4,450,027, 4,605,072 and 4,651,108. Made in U.S.A.

51-01-246 75M 8/92