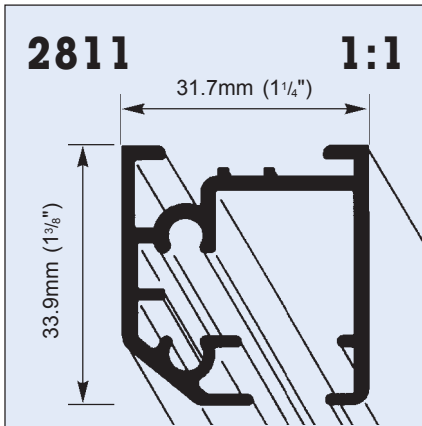


Motorized Vertical Blind System Silent Gliss® 2850

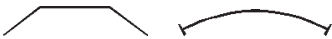


Motorized Vertical Blind System Silent Gliss® 2850



Product Information

- #2850 is a light to medium duty motorized vertical blind system
- Features mono controlled operation which allows louvers to open, close and traverse with one touch
- Rotation elements contain unique built-in override protection
- Electronic motor with built-in low voltage switching capabilities and thermal overload protection
- Built in low voltage interface allows direct access to all automated control systems
- Optional Infrared Remote Control, Timer, Sun Sensor by simple plug-in module (see section Controls and Electrical Data)
- System limits may be set from either switch locations or remote transmitter and are protected during power failure
- Ideal for contract or residential use
- Uniquely varied stacking arrangements including multiple and asymmetrical (unequal) stacking. Making it ideal for patio doors
- Ceiling, recess or wall mount
- Optional #2732 Recess Channel allows entire system to be recessed into ceiling
- Available in standard clear anodized
- Accommodates louver widths of 64mm (2 1/2"), 89mm (3 1/2"), 127mm (5")
- Can be curved for bay and bow windows (consult with Silent Gliss)



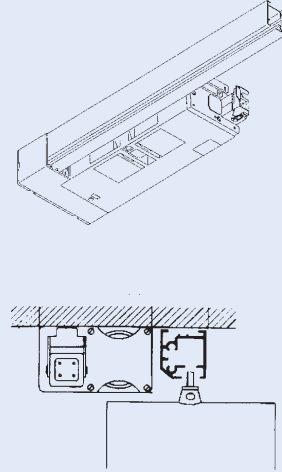
- Can be arched or sloped (consult with Silent Gliss). For rotation only.



- 5 Year Limited Warranty

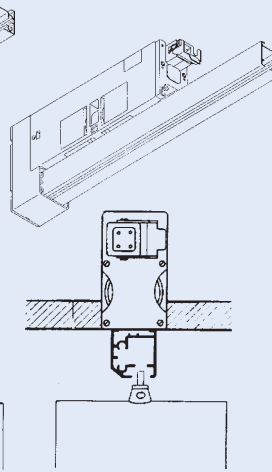
Installation #1

Motor beneath ceiling, behind track.



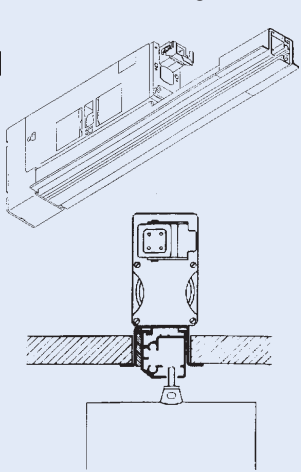
Installation #3

Motor recessed into ceiling on top of track.

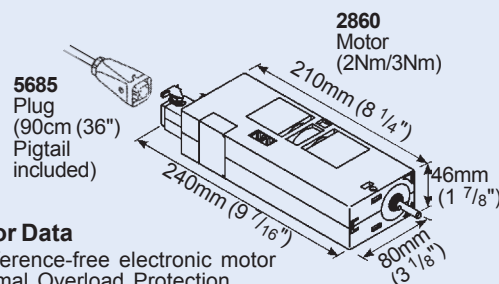


Installation #4

Motor and track recessed into ceiling.



Electrical Information



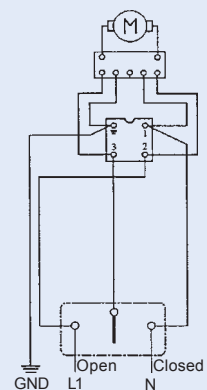
Motor Data

Interference-free electronic motor
Thermal Overload Protection
Speed: 15cm/sec (6"/sec)
2Nm: 115V/60Hz/120w/1.10Amp
3Nm: 115V/60Hz/140w/1.20Amp

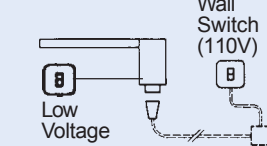
Export Version

2Nm: 230V/50Hz/120w/1.10Amp
3Nm: 230V/50Hz/120w/1.20Amp

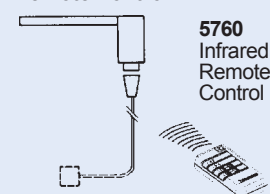
Wiring Diagram



Wall Switch



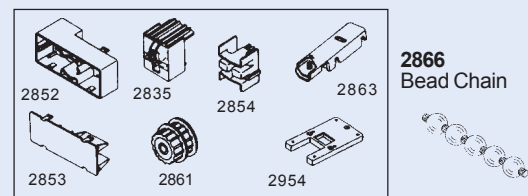
Remote Control



For additional information on controls and electrical wiring refer to section "Controls and Electrical Data".

Standard Accessories

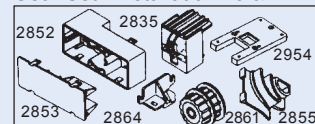
2862 Gear Set - Installation #1



Note: For all other standard accessories refer to #2800 information sheet

Optional Accessories

2862 Gear Set - Installation #3 & #4



Note: For all other optional accessories refer to Silent Gliss 2800 information sheet.