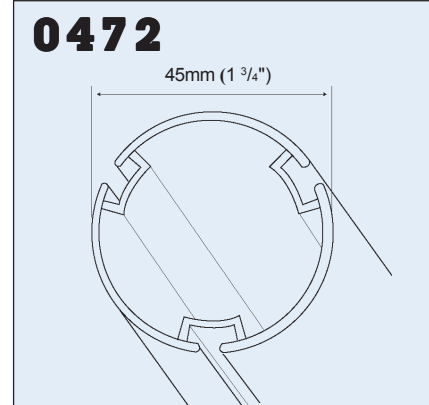
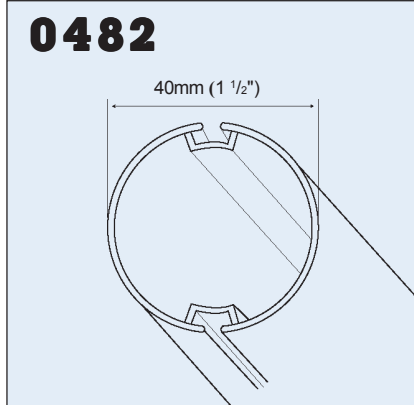
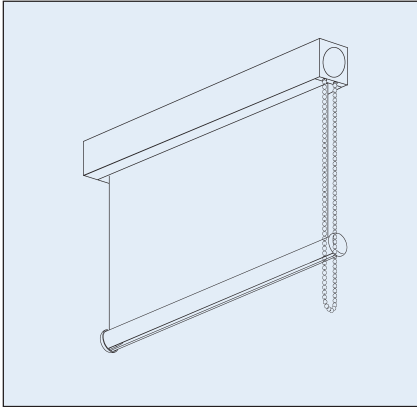


# Chain Operated Roller Shade System Silent Gliss® 4170



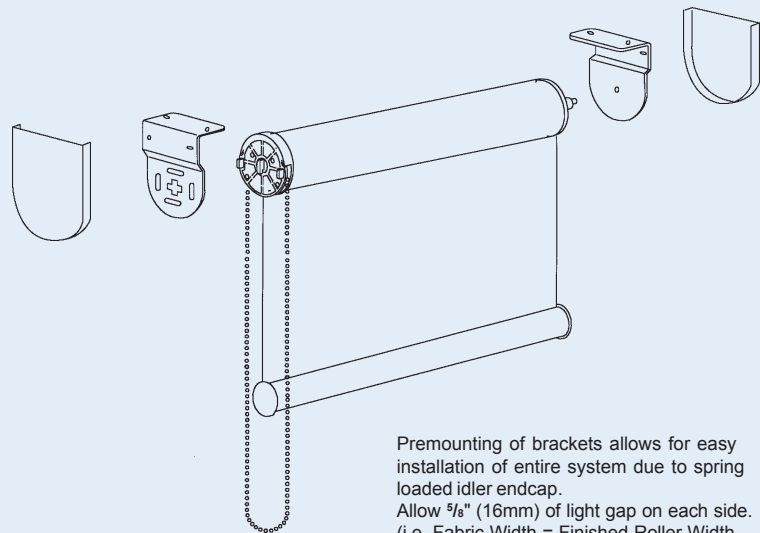
## Product Information

- #4170 is a chain operated roller shade system with a built-in clutch mechanism
- Easy, smooth operation for precise shade movement
- Shade can stop and remain at any desired position
- Optional Aluminum fascia in clear anodized or white finish for front coverage of shade or aluminum valance in clear anodized or white finish front and bottom coverage of shade (semi-enclosure)
- Available with aesthetically pleasing aluminum designer weight bar (#4221) in clear anodized, white finish or custom painted finish for either exterior (standard) or sew-in (optional at no charge)
- Specify if flat aluminum weight bar (2004) is to be sewn-in for a more commercial look
- Spring loaded idler endcap allows quick and easy installation of blinds into pre-mounted brackets
- Stainless steel bead chain provides clean finished look
- Wall, ceiling or inside mounting
- Optional side guides with side channels for door and operable window applications
- Systems available with solar shading, room darkening or soft designer fabrics
- Maximum recommended shade sizes:

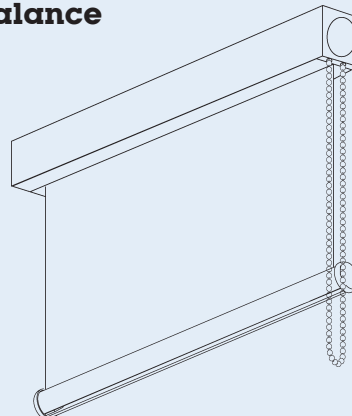
Tube	Width	Height
40mm(1 1/2")	213cm(84")	300mm(118")
45mm(1 3/4")	274cm(108")	350cm(137")

- Above sizes based on light to medium weight fabrics. Heavy fabrics may limit maximum size. For other applications please consult application chart or Silent Gliss
- 5 Year Limited Warranty

## 4170 Without Valance



## 4170 With Valance



# Chain Operated Roller Shade System Silent Gliss® 4170

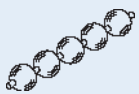
## Standard Components

### Universal Clutch Set

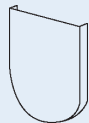


**Set #0438**  
Used With  
Tube #0482  
(4170 HD)

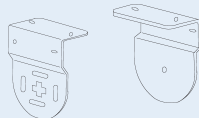
**Set #0440**  
Used With  
Tube #0472  
(4170 HD)



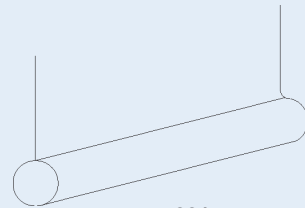
**0477**  
# 10 Metal  
Bead Chain



**0558-45**  
Bracket  
Cover



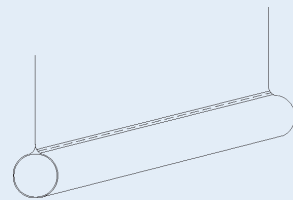
**0437**  
Bracket  
Set



**4221**  
External Weight  
Bar (Standard)



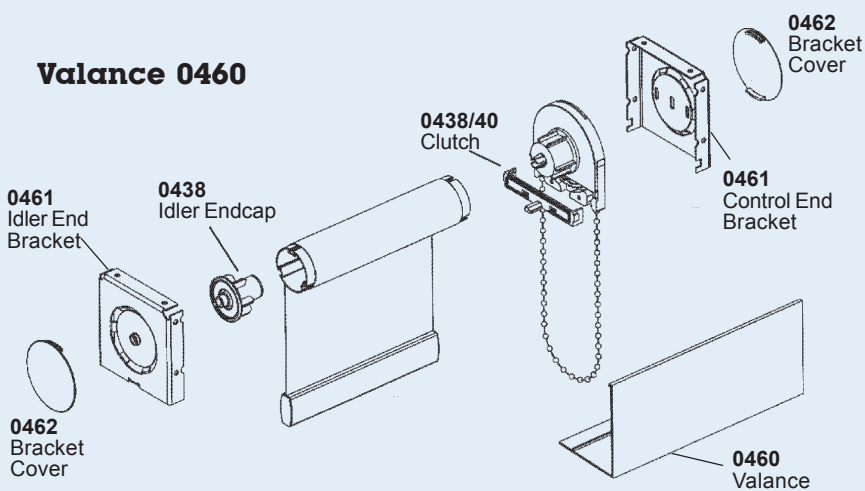
**4241**  
Weight  
Bar Endcap



**4221**  
Sewn in  
Weight Bar  
(Specify)

## Optional Components

### Valance 0460



**0461**  
Idler End  
Bracket

**0438**  
Idler Endcap

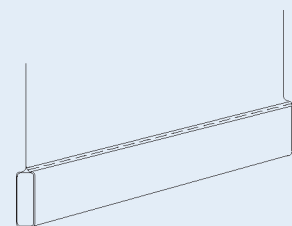
**0438/40**  
Clutch

**0462**  
Bracket  
Cover

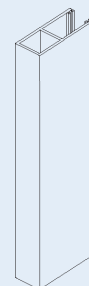
**0461**  
Control End  
Bracket

**0462**  
Bracket  
Cover

**0460**  
Valance



**2004**  
Sewn in Weight  
Bar (no extra  
charge)



**4391**  
Side  
Channel

© Copyright by Silent Gliss 2004