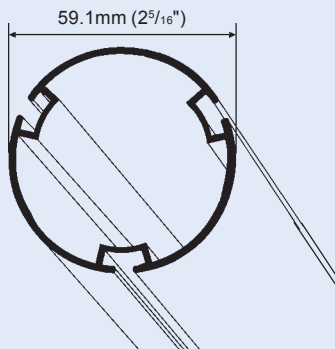


# Motorized Roller Shade System Silent Gliss® 4450

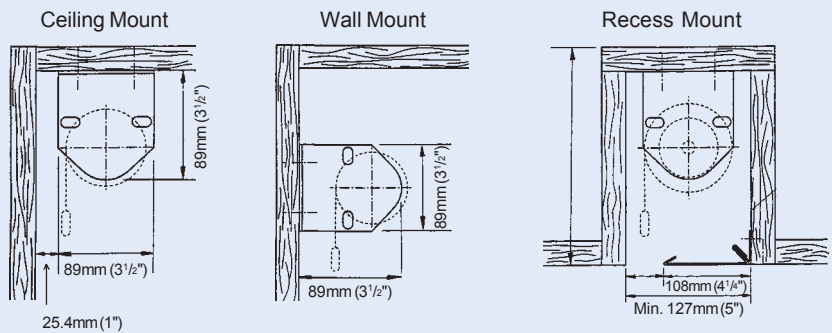
**4135**



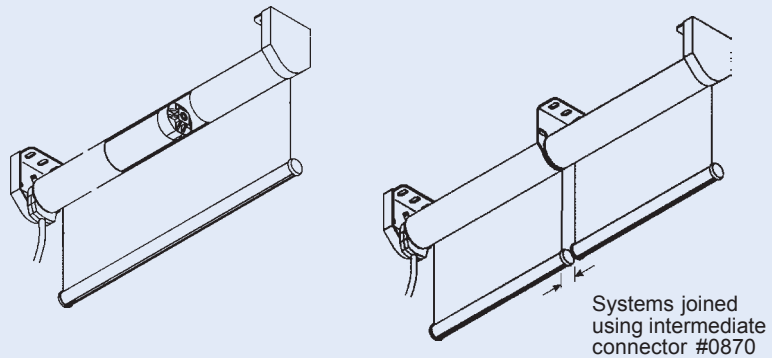
## Product Information

- #4450 is a 110V, motorized roller shade system
- May be controlled by wall switch, timer, sunsensor or infrared radio remote control (see section Controls and Electrical Data)
- Shade can be stopped at any desired position
- Silent, totally maintenance free operation
- Available with aesthetically pleasing external aluminum bottom weight bar in clear anodized, white or custom painted or with weight bar inside fabric pocket
- Widths up to 400cm (158")
- Heights up to 730cm (288")
- Systems available with solar shading, room darkening or soft designer fabrics
- Wall, ceiling or recessed mounting
- Optional valance boxes and recess cover plates available
- 5 Year Limited warranty

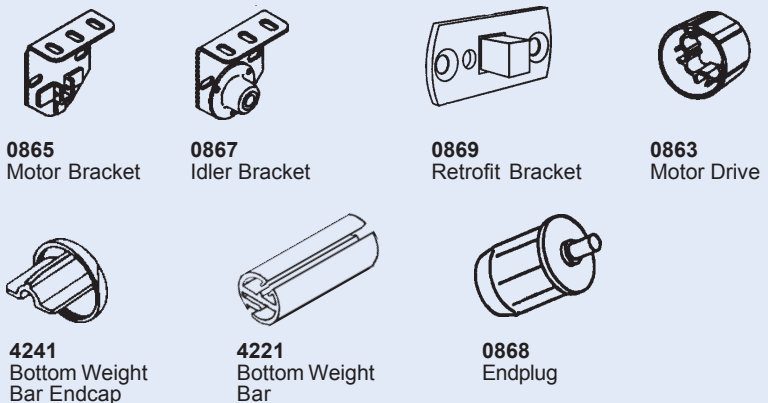
## Installation



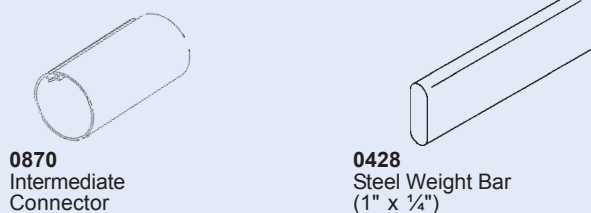
## Single or Multiple Shade Application with one Motor



## Standard Components

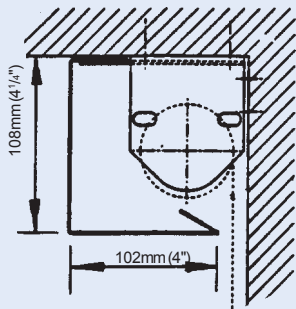


## Optional Components



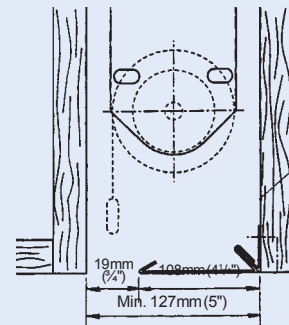
# Motorized Roller Shade System Silent Gliss® 4450

## Optional: Valance



Available with Valance #0880 or Coverplate #0881, in clear or bronze anodized finish, or white painted finish

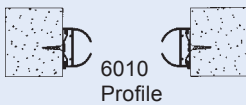
## Optional: Coverplate



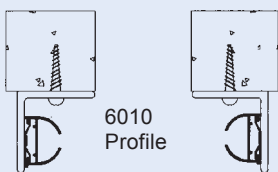
## Optional: Skylight Roller Shade

### Single Shade Side Channels

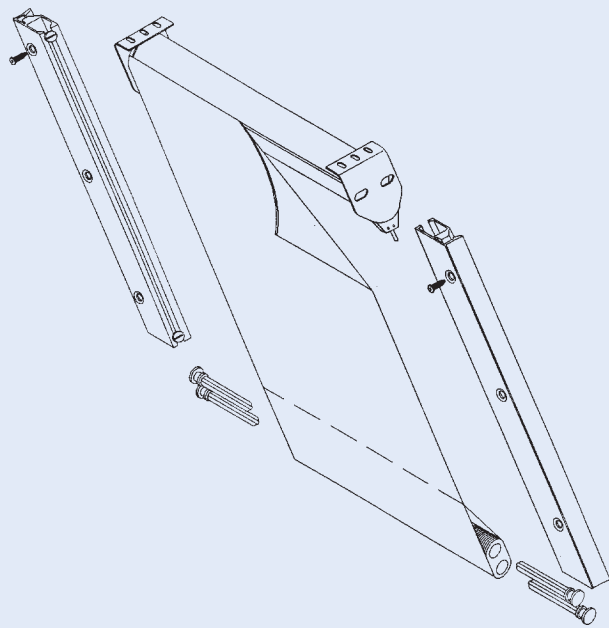
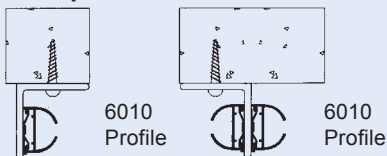
#### Inside Mount



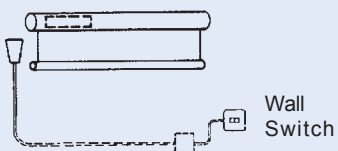
#### Face Mount



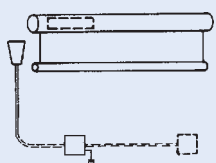
### Multiple Shade Side Channels - Face Mount



## Operating Methods

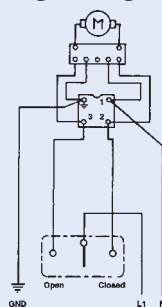


Wall Switch



5787 Transmitter

## Wiring Diagram



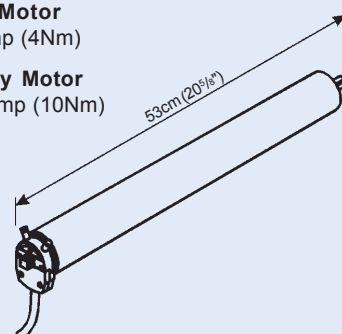
For additional information on controls and electrical wiring refer to section "Controls and Electrical Data"

## Motor Data

Interference-free  
Thermal Overload Protection  
115V/60Hz

**Standard Motor**  
80W/0.7Amp (4Nm)

**Heavy Duty Motor**  
150W/1.3Amp (10Nm)



© Copyright by Silent Gliss 2004