

# Roller Blind System Silent Gliss® 4810



**Home Collection  
Exclusive**



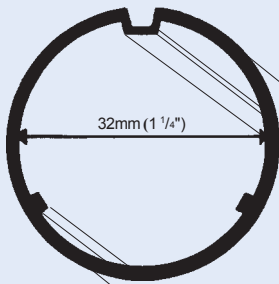
**4810**

# Roller Blind System

## Silent Gliss® 4810

4227

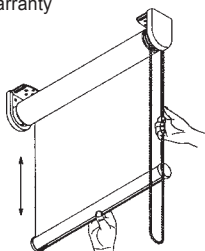
1:1



### Product Information

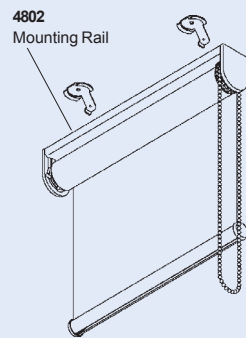
- A silent, maintenance-free high performance chain-operated roller blind, ideal for residential and contract applications.
- Maximum width: 200cm (min. width: 50cm)  
Maximum drop: 300cm  
Maximum surface: 6m<sup>2</sup>  
Maximum load: 3.5kg
- The maximum dimensions of a roller blind system are defined by the maximum load (fabric weight including weight bar). The maximum width and drop indicated above cannot be exceeded.
- Internal spring allows effortless raising or lowering of shade.
- Shades can be mounted side by side with a minimum light gap due to a new intermediate bracket with cover.
- System supplied standard with a neat and discreet flexible stainless steel bead chain.
- Aluminum bottom bar in clear anodized or painted white.
- Easy front loading and removal of the blind.
- Easy wall, ceiling or recessed mounting
- Optional mounting rail for faster on site installation using mounting clamps and benefiting from pre-mounted systems.
- Bracket covers for neater appearance outside recess.
- Effortlessly, smooth operation provides precise shade movement.
- Shade can stop and remain at any desired position.
- System available with soft, washable, flame retardant fabrics.
- Optional side guides for door and operable window applications.
- 5 Year Limited Warranty

For quick and easy operation, the blind can be lowered by hand or by chain, without any damage to the system.

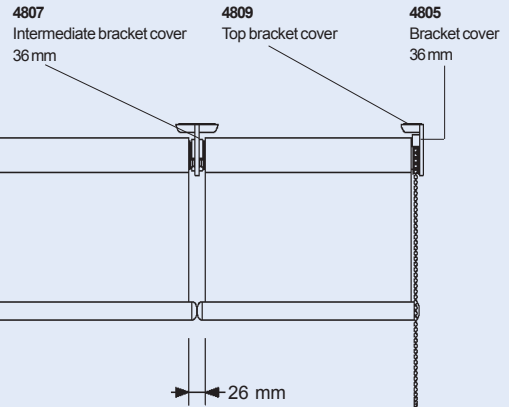


### Installation

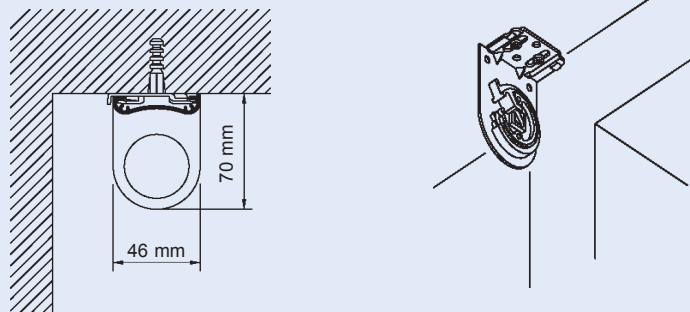
Optional Mounting Rail 4802 with clamps 3033/3044



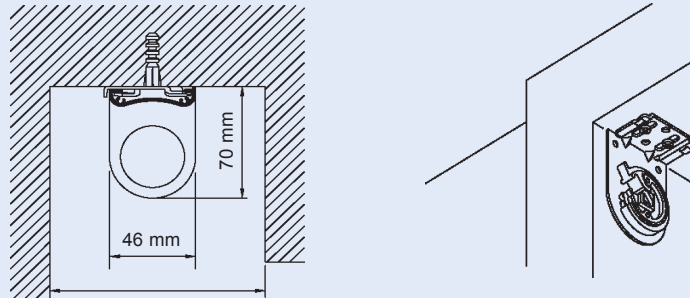
### Side-by-side Mount



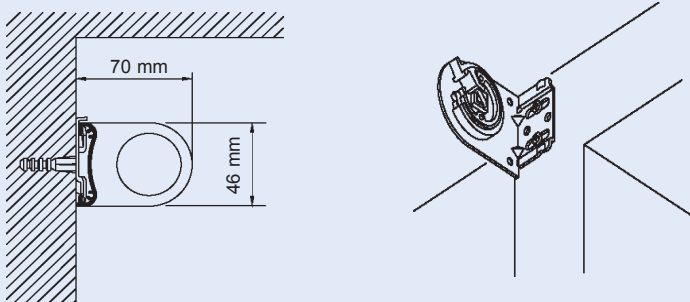
### Ceiling Mount



### Pocket Mount



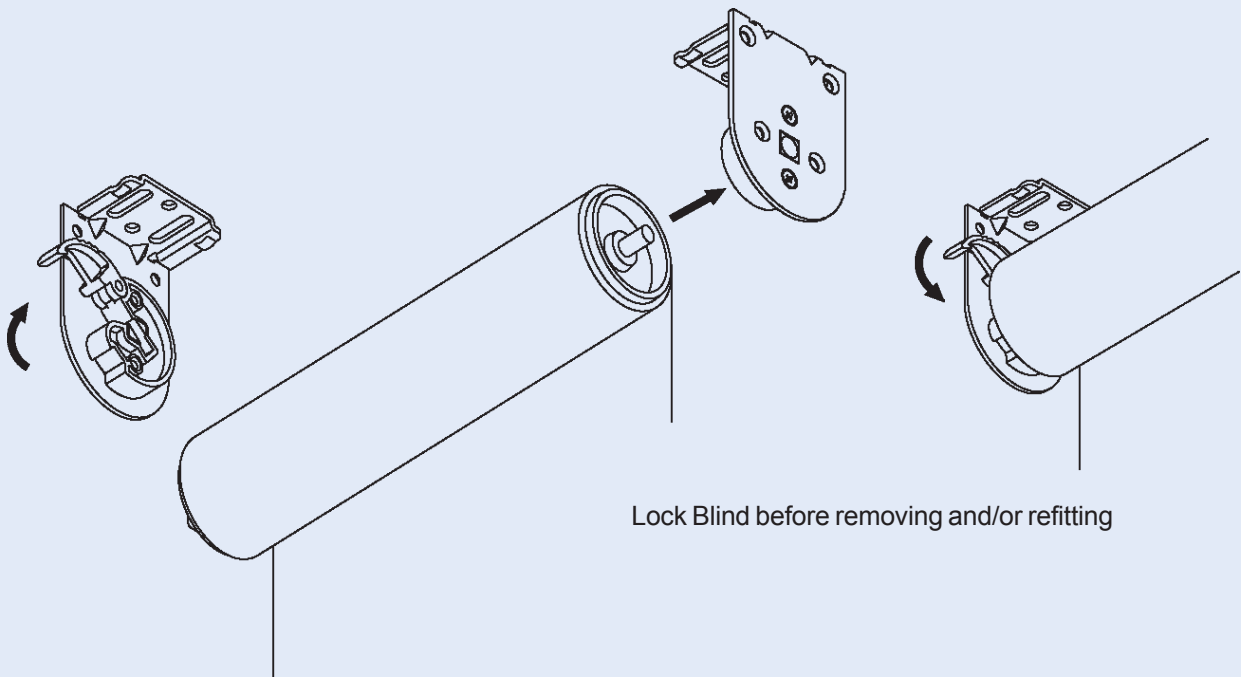
### Wall Mount



© Copyright by Silent Gliss 2004

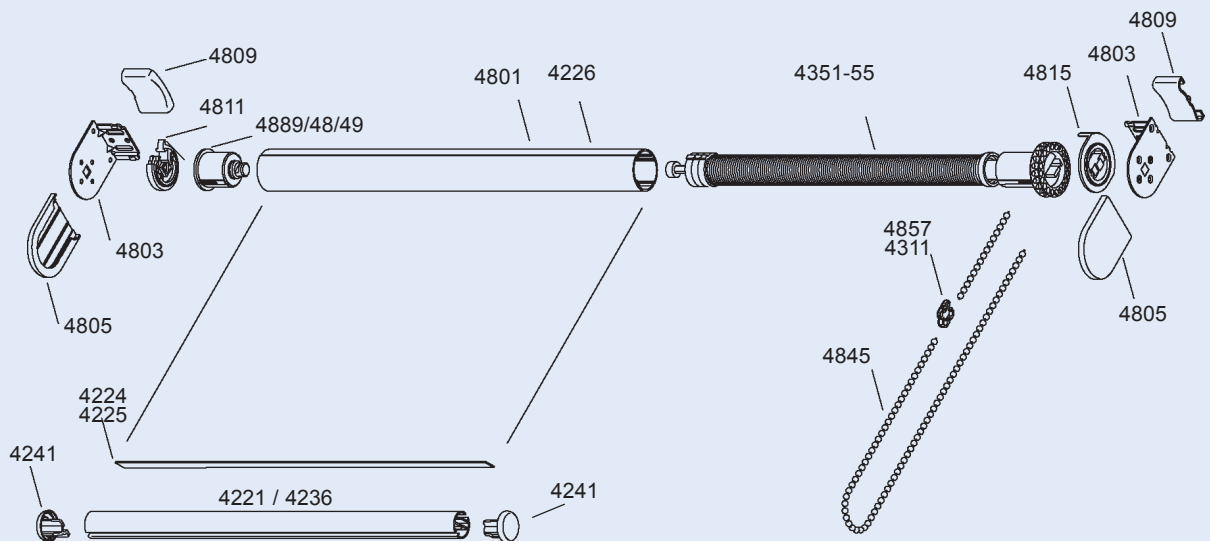
# Roller Blind System Silent Gliss® 4810

## Easy front loading and removal of the blind



Lock Blind before removing and/or refitting

## Explosion Drawing



© Copyright by Silent Gliss 2004

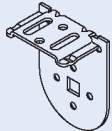
# Roller Blind System

## Silent Gliss® 4810

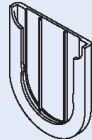
### Standard Components



**0475**  
Stainless steel bead  
chain connector



**4803**  
Bracket  
36 mm



**4805**  
Bracket cover  
36 mm



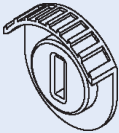
**4357-64**  
Left Spring  
Clutch



**4351-55**  
Right Spring  
Clutch



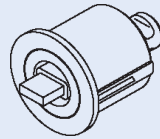
**4809**  
Top bracket  
cover



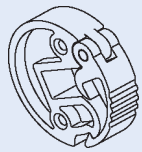
**4815**  
Support



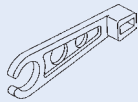
**4845**  
Stainless steel  
bead chain



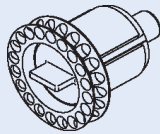
**4848 / 4849**  
Brake left / right



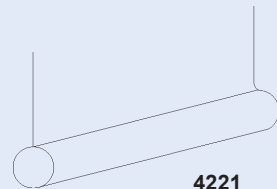
**4868**  
Lock



**4211**  
Spring  
Winder



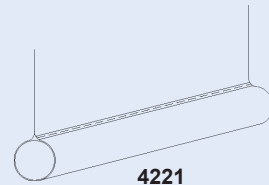
**4889/48/49**  
Clutch



**4221**  
External Weight  
Bar (Standard)



**4241**  
Weight bar  
end cap

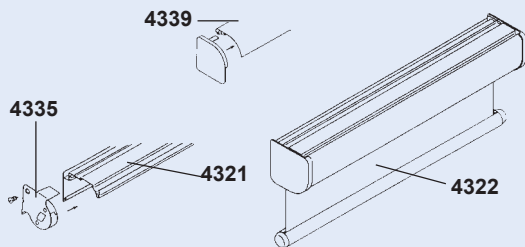


**4221**  
Sewn in  
Weight Bar  
(Specify)

### Optional Components

#### Alternative mounting with Valance #4240

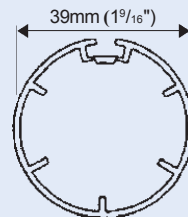
A two-piece hinged valance headbox is available. This covers the top of the roller neatly and simplifies installation. Available in standard wite finish.



#### Optional Oversize System 4820

The standard max. width/drop of 4810 is 200cm/300cm (80-120"). In order to extend the width capacity of 4810 system a heavier profile #4264 is used with adapters #4116. Max. width 260cm (104"), with this system.

#### 4116



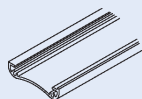
**3033**  
Clamp  
(w/washer)



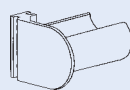
**3044**  
Clamp  
(no washer)



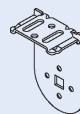
**6028**  
Side  
Rail



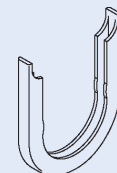
**4802**  
Mounting  
Rail



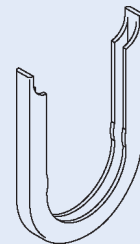
**4133**  
Side  
Guide



**4804**  
Bra-  
cket  
46 mm



**4807**  
Intermediate  
bracket cover  
36 mm



**4808**  
Intermediate  
bracket cover  
46 mm