

Roller Blind System Silent Gliss® 4830



Home Collection
Exclusive



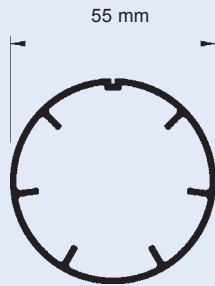
4830

Roller Blind System

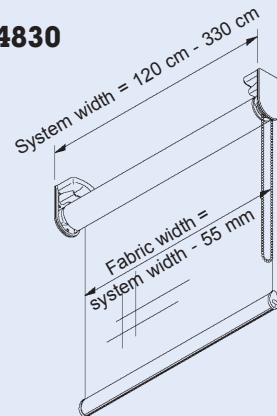
Silent Gliss® 4830

4701

1:2



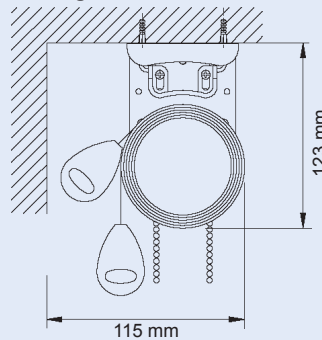
Silent Gliss 4830



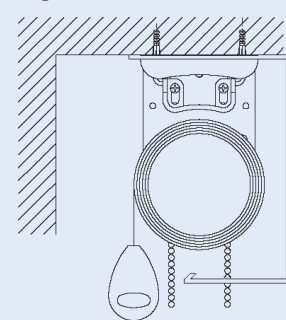
Product Information

- Heavy-duty chain operated roller blind system, ideal for contract applications.
Max. width: 330 cm (min. width: 120 cm)
Max. drop: 400 m
Max. surface: 10 m²
- The maximum dimensions of a roller blind system are defined by the maximum load (fabric weight including weight bar). Besides, the maximum width and drop indicated above cannot be exceeded.
- Thanks to the unique planetary gear, the operation is smooth and light and the blind stops instantly with no slippage.
- Adjustable stainless steel bracket set: the vertical adjustment device makes it possible to easily align the fabric with the window frame or the system with the ceiling on site using a screwdriver only.
- Optional pre-installed hook-in stainless steel plates take the weight of the blind whilst the fitters carry out final positioning of the brackets. The latter are each adjustable sideways by up to 15 mm.
- The system can be covered with an optional "valance" profile
- Connected systems can be mounted using an intermediate snap-in bracket for easy fitting from below thus requiring smaller recess pockets. Systems are operated simultaneously with one sidewinder chain.
- Flexible stainless steel bead chain.
- Optional adjustable bottom end stop.
- Over-roll protection stop.
- Aluminium bottom bar, clear anodized or white painted.
- Optional side-guide wires with easy fitting and tensioning.
- Bracket covers for neater appearance.
- 5 Year Limited Warranty

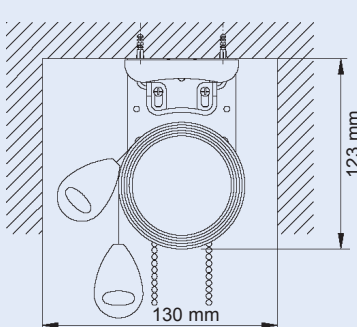
Ceiling Mount



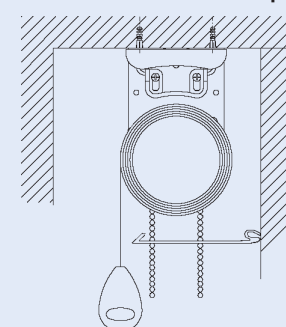
Ceiling Mount with Fascia



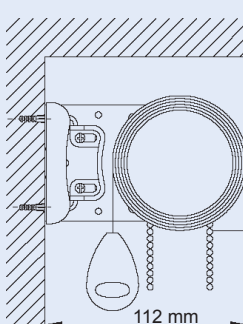
Recess Mount



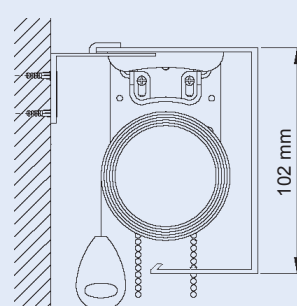
Recess Mount with Coverplate



Wall Mount



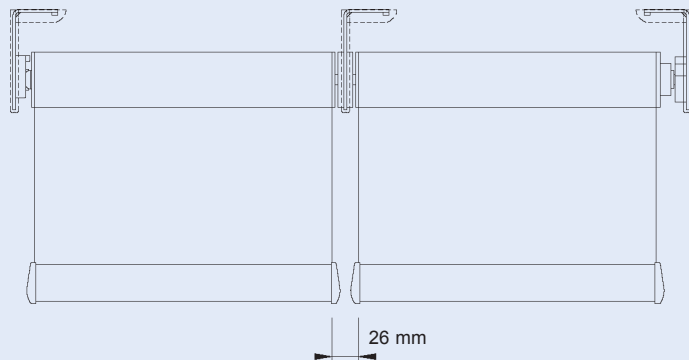
Wall Mount with Fascia



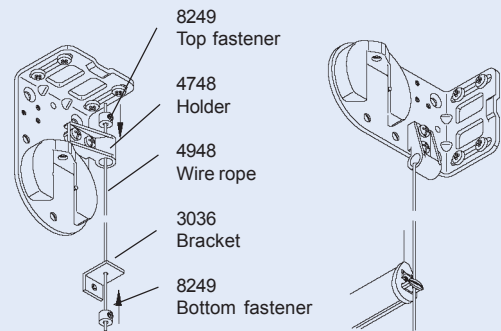
© Copyright by Silent Gliss 2004

Roller Blind System Silent Gliss® 4830

Connected systems (simultaneous operation)

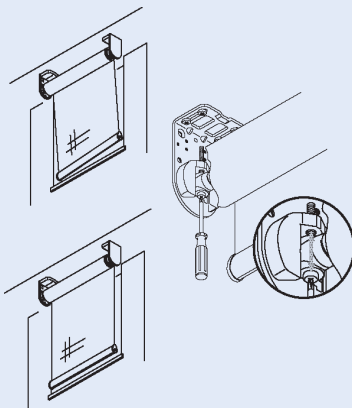


Side guides (available as an option)



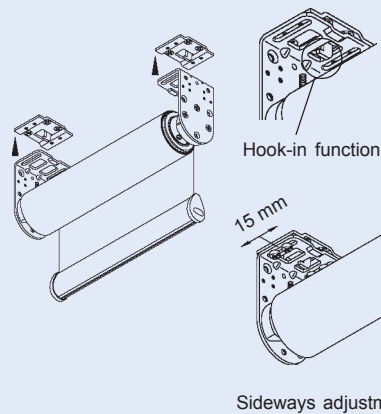
Adjustable bracket set

(for vertical adjustment)



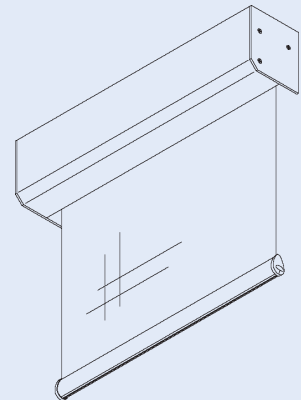
Hook-in plates

(available as an option)

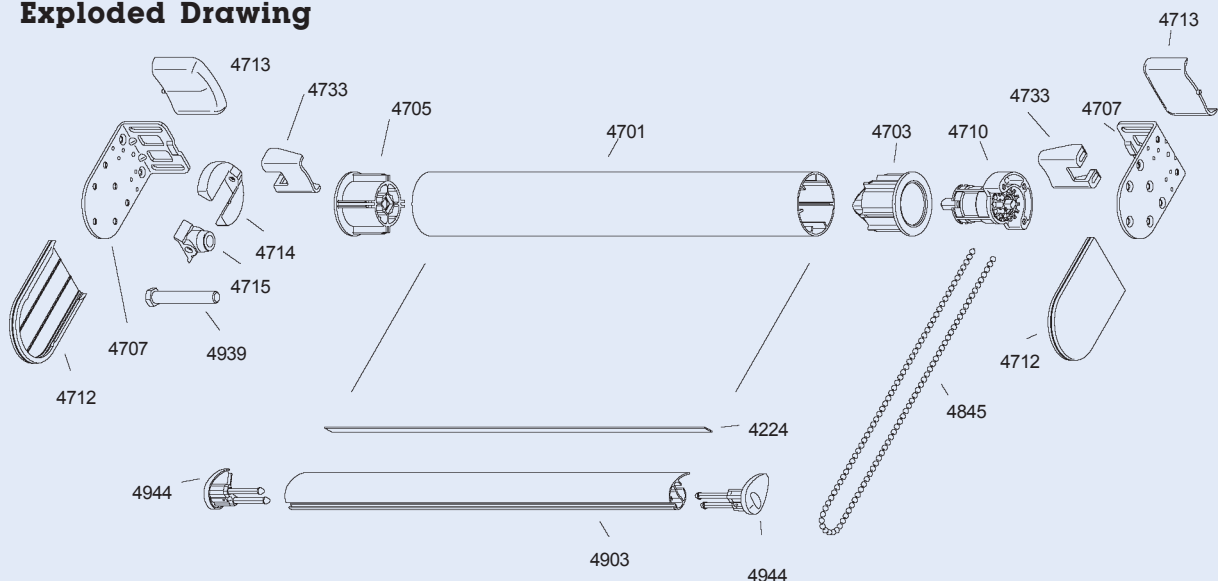


Valance

(available as an option)



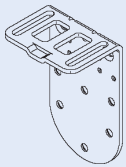
Exploded Drawing



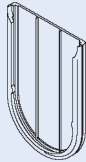
Roller Blind System

Silent Gliss® 4830

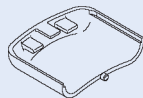
Standard Accessories



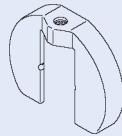
4707
Bracket



4712
Bracket cover



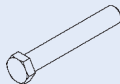
4713
Top bracket cover



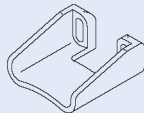
4714
Sliding plate



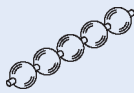
4715
Support



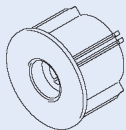
4939
Shaft



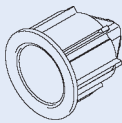
4733
Endstop



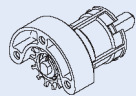
4845
Stainless steel
bead chain



4705
Adaptor
(Ø 55 mm)



4703
Gear adaptor
(Ø 55 mm)

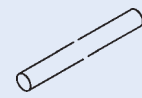


4710
Gear

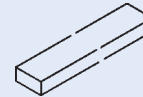
Insert additional
Weights as necessary



4903
Weight Bar



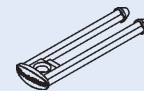
4951
Steel Weights
(Ø 8.0 mm)



4952
Steel Weight



4944
Bottom weight endcover set



Optional accessories

Side guides (2x)



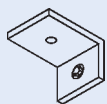
8249
Fastener



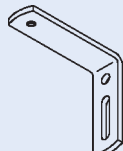
4748
Holder



4948
Wire rope
(Ø 1.5 mm)



3036
Bracket

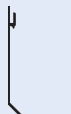


3134
Alternative
bracket



3133
Bracket cover

Valance



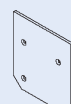
4702
Profile



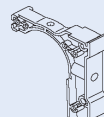
4739
Seal lip



4736
Cover left



4738
Cover right



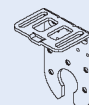
4735
Holder
fascia
(2x)

Connected systems

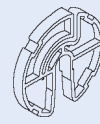
(centre support bracket)



4708
Connection bracket
(wall fixing)



4709
Connection bracket
(ceiling fixing)



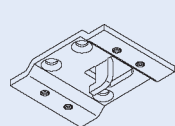
4729
Connection
flange (2x)



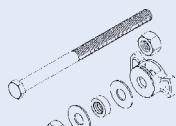
4742
Connection
adaptor (2x)



4744
Connection
bracket cover



4734
Hook-in plate



4749
Brake combination set

© Copyright by Silent Gliss 2004