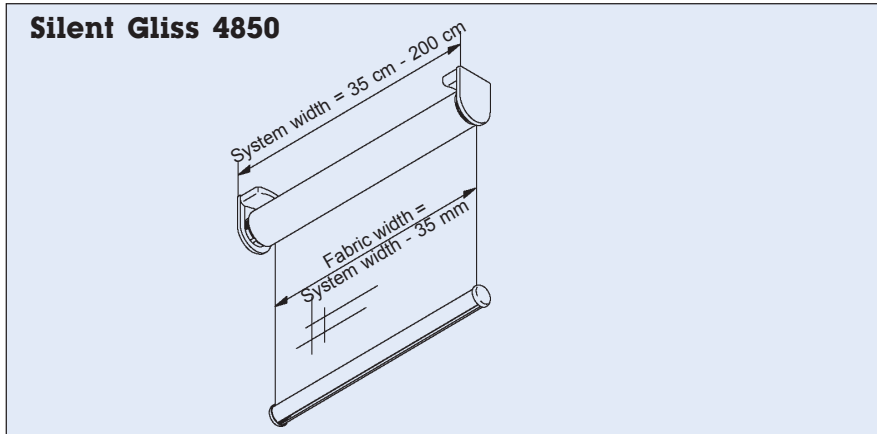
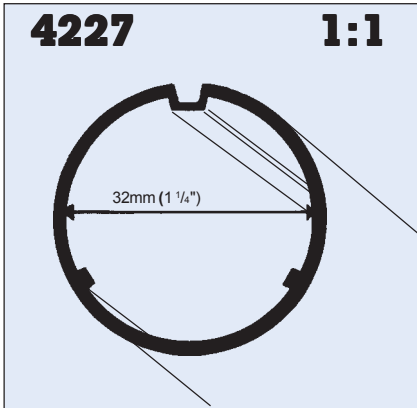


# Roller Blind System Silent Gliss® 4850



# Roller Blind System Silent Gliss® 4850

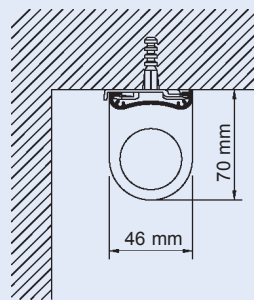


## Product Information

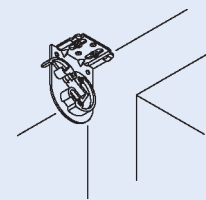
- Low voltage motorised roller blind system. Ideal for residential and specific contract applications.
- Max. width: 200 cm (min. width 35 cm)  
Max. drop: 300 cm  
Max. surface: 6 m<sup>2</sup>  
Max. load: 3.5 kg
- The maximum dimensions of a roller blind system are defined by the maximum load (fabric weight including weight bar). Besides, the maximum width and drop indicated above cannot be exceeded.
- Can be stopped at any given position.
- Silent low voltage 12V or 24V motor. 0.38 A/0.7 Nm
- Side-by-side fitting with a minimized light gap using a new intermediate bracket cover.
- Wall switch or remote control operation.
- Aluminium bottom bar in clear anodized or white painted.
- Easy front loading and removal of the blind.
- Easy wall, ceiling or recess fixing.
- Optional mounting rail for faster on site fitting using fixing clamps and benefiting from pre-mounted systems.
- Bracket covers for neater appearance outside recess.
- 5 Year Limited Warranty

## Fitting

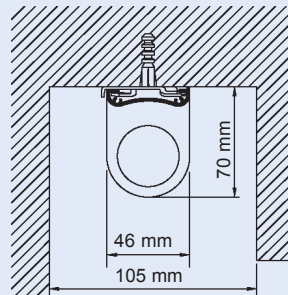
### Ceiling fixing



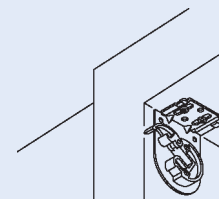
### Bracket positioning ceiling



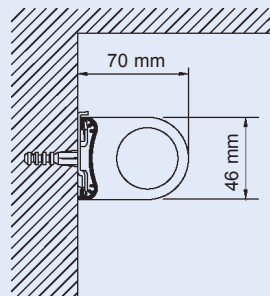
### Recess fixing



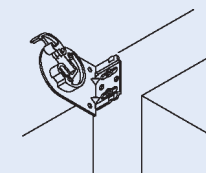
### Bracket positioning recess



### Wall fixing

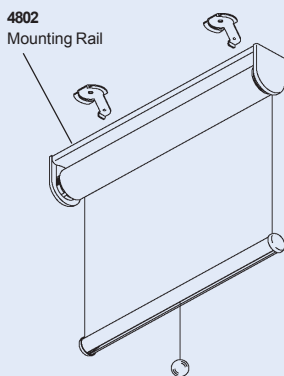


### Bracket positioning wall

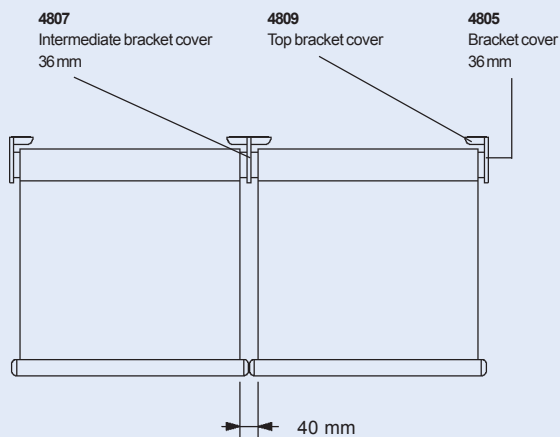


# Roller Blind System Silent Gliss® 4850

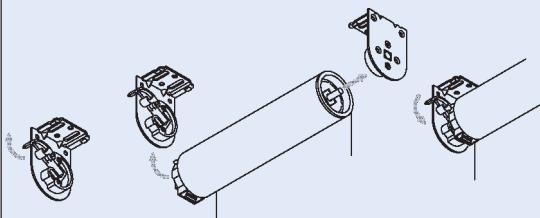
## Optional Mounting Rail 4802 with clamps 3033/3044



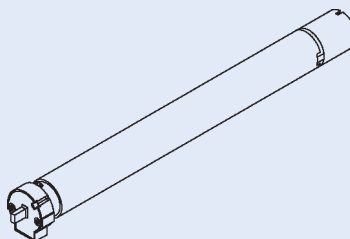
## Side-by-side Mount



## Easy front loading and removal of the blind

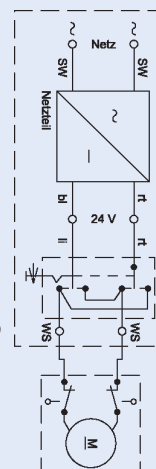


## Motor

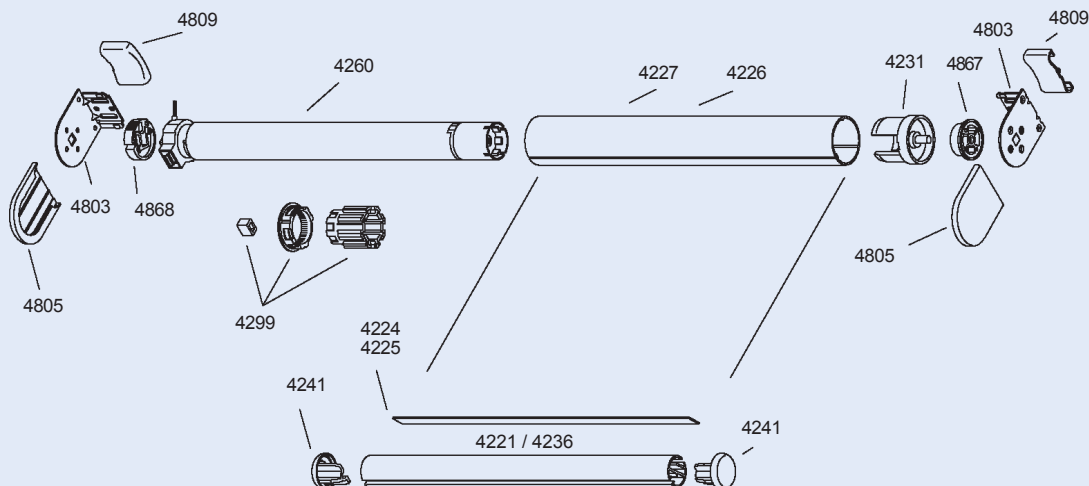


The Silent Gliss 4260 motor can only be wired to operate on 12V or 24V (low voltage). Ensure that the transformer is adapted to motor specifications. Otherwise risk of damage to motor and electronics.

## wiring diagram



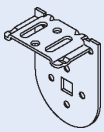
## Exploded Drawing



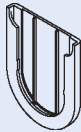
# Roller Blind System

## Silent Gliss® 4850

### Standard Accessories



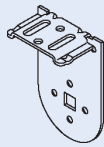
**4803**  
Bracket  
36 mm



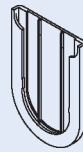
**4805**  
Bracket cover  
36 mm



**4809**  
Top bracket  
cover



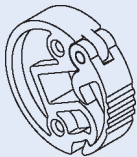
**4804**  
Bracket  
46 mm



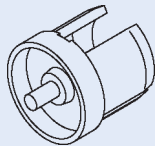
**4806**  
Bracket cover  
46 mm



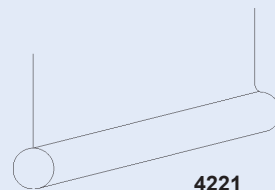
**4867**  
Support



**4868**  
Lock



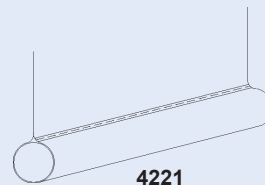
**4231**  
Tube  
end cap



**4221**  
External Weight  
Bar (Standard)

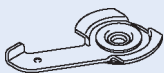


**4241**  
Weight bar  
end cap



**4221**  
Sewn in  
Weight Bar  
(Specify)

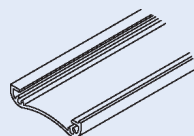
### Optional accessories



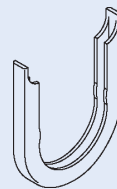
**3033**  
Clamp  
(With Washer)



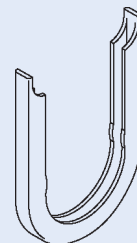
**3044**  
Clamp  
(No Washer)



**4802**  
Mounting  
Rail



**4807**  
Intermediate bracket  
cover 36 mm



**4808**  
Intermediate bracket  
cover 46 mm