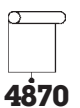


Motorized Roller Shade System Silent Gliss® 4870

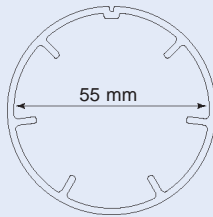


4870

Motorized Roller Shade System Silent Gliss® 4870

4701

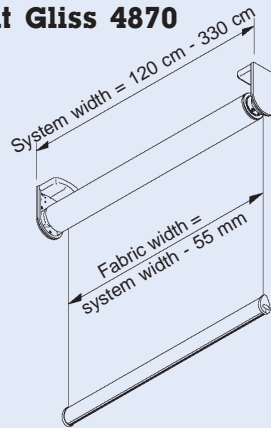
1:2



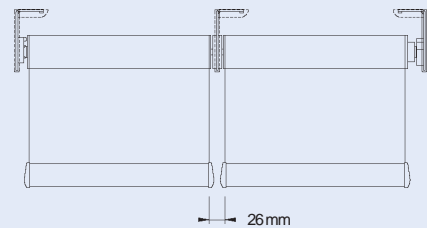
Product Information

- Heavy-duty motorized roller blind system.
- Ideal for contract and large residential applications.
- Maximum width: 330 cm
Minimum width: 120 cm
Maximum drop: 500 cm
Maximum surface: 14 m²
- The maximum dimensions of a roller blind system are defined by the maximum load (fabric weight including weight bar).
- Adjustable stainless steel bracket set. Due to the vertical adjustment device, the fabric can be easily aligned with the window frame or the system with the ceiling on site using a screwdriver only.
- As an option, stainless steel mounting plates can be pre-installed to hold the roller blind in place while the installer adjusts the final position of the brackets.
- The system can be covered by an optional "Valance" profile.
- Connected systems can be mounted using an intermediate snap-in bracket for easy mounting from below thus requiring smaller recess pockets. Systems are operated simultaneously with one motor.
- Motor: LD 110 V/100 W/0.90 A
HD 110 V/135 W/1.20 A
- Electronic endstop.
- Wall switch or remote control operation.
- Available with aesthetically pleasing aluminum designer weight bar (#4903) in clear anodized, white or custom painted finish.
- Optional side-guide wires.
- Bracket covers for neater appearance.
- 5 Year Limited Warranty

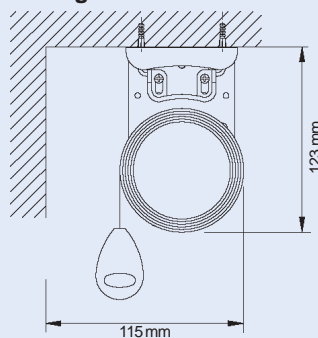
Silent Gliss 4870



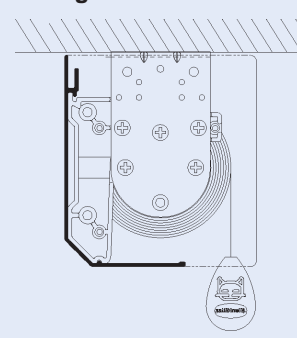
Connected Systems (simultaneous operation)



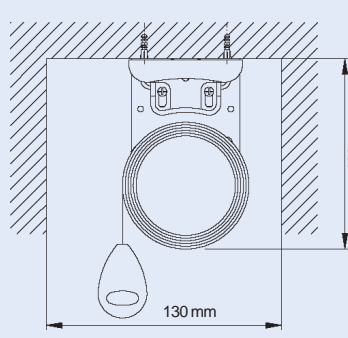
Ceiling Mount



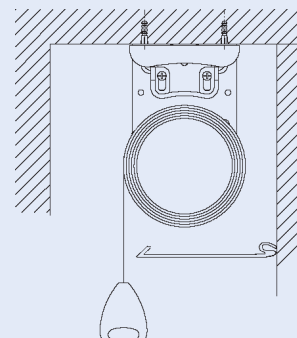
Ceiling Mount with Fascia



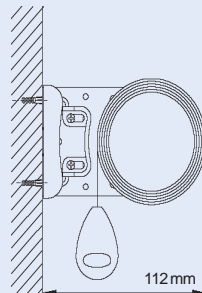
Recess Mount



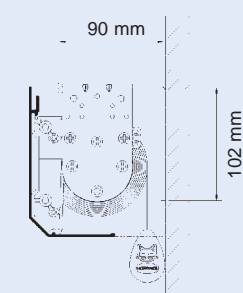
Recess Mount with Coverplate



Wall Mount



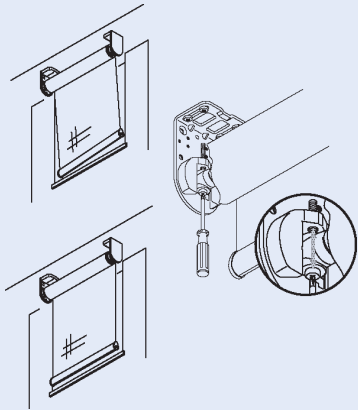
Wall Mount with Fascia



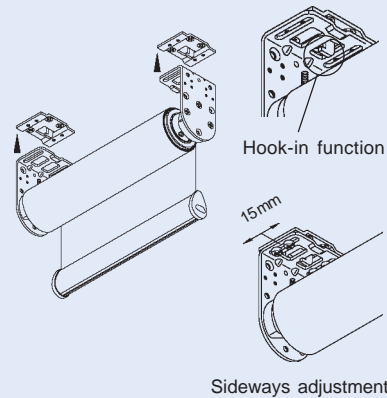
© Copyright by Silent Gliss 2004

Motorized Roller Shade System Silent Gliss® 4870

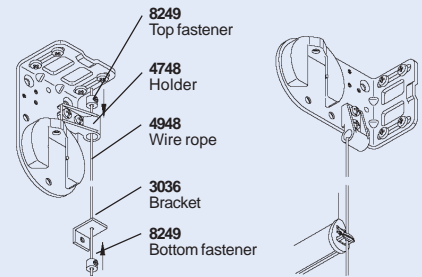
Adjustable Bracket set (for vertical adjustment)



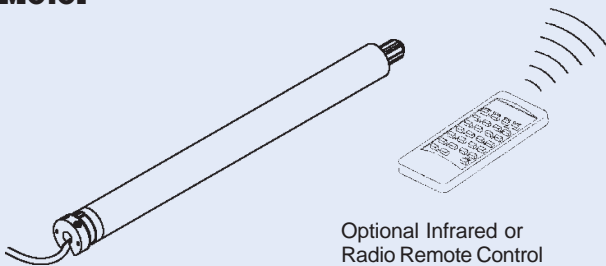
Mounting Plate 4734 (available as an option)



Side Guides (available as an option)



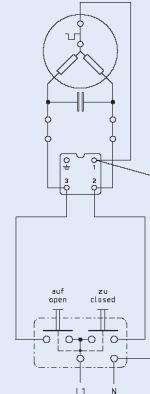
Motor



4460
Motor (40mm)
LD 110 V/100 W/0.90 A
HD 110 V/135 W/1.20 A

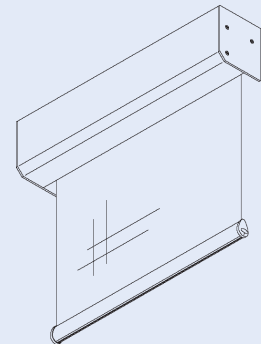
For additional information on controls and electrical wiring contact Silent Gliss.

Wiring diagram

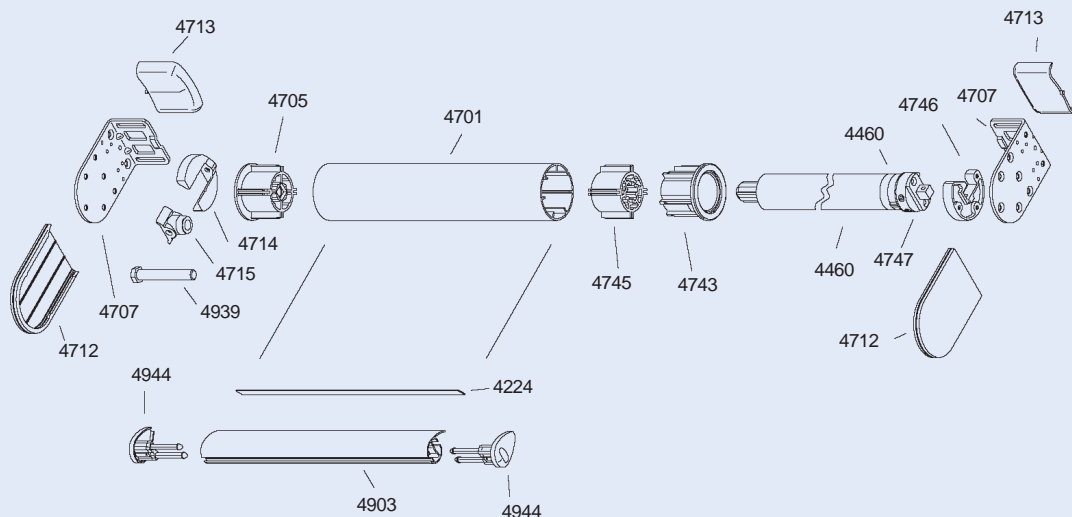


Valance (available as an option)

(available as an option)



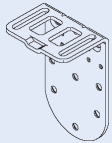
Standard Components



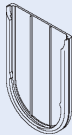
© Copyright by Silent Gliss 2004

Motorized Roller Shade System Silent Gliss® 4870

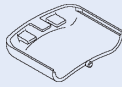
Standard Components



4707
Bracket



4712
Bracket Cover

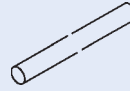


4713
Top Bracket Cover

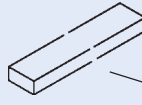
Designer Weight Bar 4903



4903
Weight Bar



4951
Steel Weights
(Ø 8.0 mm)



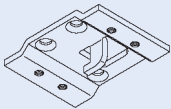
4952
Steel Weight



4944
End Covers with Slides
(for use with side wires)

Insert additional weights as necessary

Optional Components



4734
Mounting
Plate

Side Wire Set



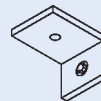
8249
Fastener



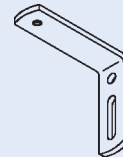
4748
Holder



4948
WireRope
(Ø 1.5 mm)



3036
Bracket

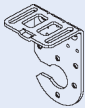


3134
Alternative
Bracket

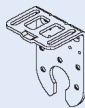


3133
Bracket
Cover

Connected Systems (centre support bracket)



4708
Bracket
(Wall Mount)



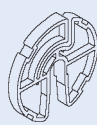
4709
Bracket
(Ceiling Mount)



4742
Adaptor

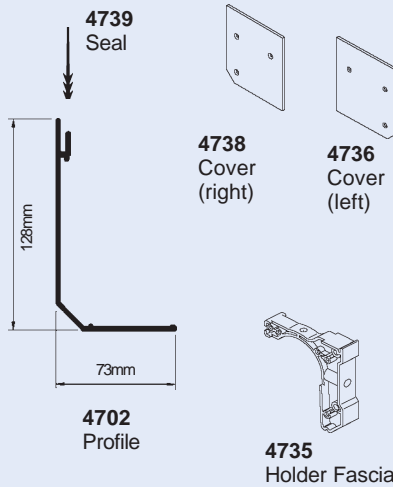


4744
Bracket
Cover

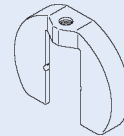


4729
Flange

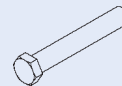
Valance



Shade Leveling Set



4714
Sliding plate



4939
Shaft



4715
Support