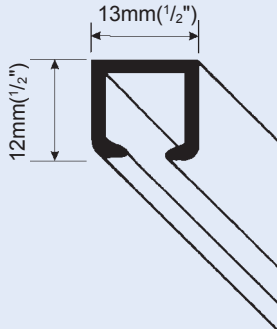


Hand Drawn Curtain Track System Silent Gliss® 6028

6028

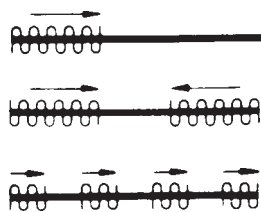
1:1



Product Information

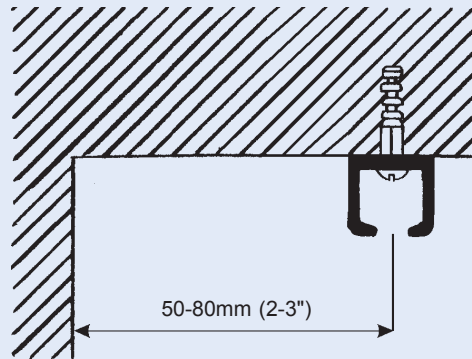
- #6028 is a hand drawn drapery track for medium duty applications
- Hand or baton drawn
- Slim sturdy profile
- Designed for ceiling mounting without the need for brackets
- System lengths to 6m (20')
- Accommodates Pinch Pleat drapery heading
- System can be curved (consult Silent Gliss)
- Available in standard clear anodized finish
- Ideal for boats, RV's, airplanes, hospitals, apartments, motels and schools
- 5 Year Limited Warranty

Stacking Possibilities

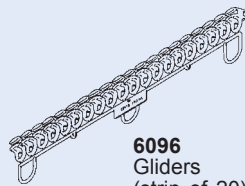


Installation

Ceiling Mount



Standard Components



6096
Gliders
(strip of 20)



6065
Eyelet Endstop

Optional Components



3700
Baton 100cm (36")
3750
Baton 120cm (48")



6283
Roller



6098
Roller
with eye



6013
Endstop



6053
Springstop



6147N/S
Mushroom
Glider
with hook
(N=Nylon,
S=Steel)



6094
Roller
with hook