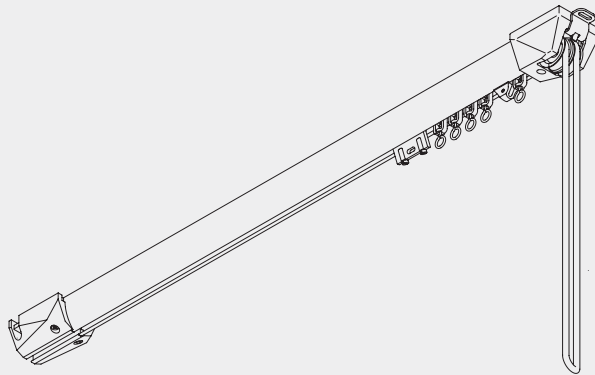


Cord Operated Curtain Track Systems



Heavy Duty and Stage Curtain Track System

Silent Gliss® 6200



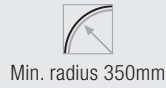
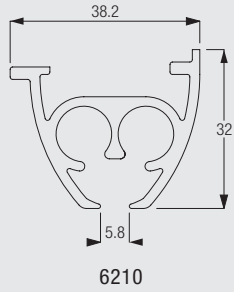
Product Information

- Unbeatably efficient with effortless closing of curtains up to 70kg in weight and up to 15m in length or more.
- Heavy duty pulleys and Delrin rollers.
- For very heavy curtains for small stages, conference rooms, sports halls etc. and very heavy domestic curtains.
- Elegant rounded profile more attractive than any comparative system. Same appearance on both sides for room dividing.
- Standard lengths 4/5/6m. Silver only. Connecting bridge available.
- Standard cord drop 300cm, right hand pull.
- Can be bent.



6200

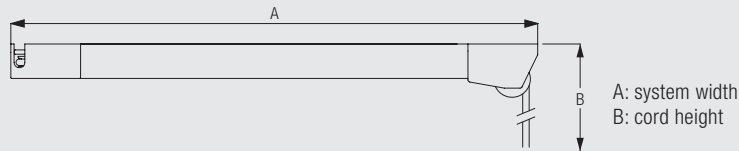
Profile, Bending and Specification Information



Specification Information - download www.silentgliss.co.uk (password required).

Silent Gliss 6200 curtain track, cord drawn, anodised aluminium, assembled complete with roller gliders 6098 at 10/m, cord guide/returns 6212/6213, pilot runners 6214/6227, overlap 6079, cord 6070 (cord drop 3000mm R.H.S.) and endstop 6007, top fixed with clamp at approx. 600mm centres plus cord guide, each screwed to timber/plugged and screwed to blockwork/concrete.Lm inlengths.

How to Measure



System Dimensions



15m



70kg

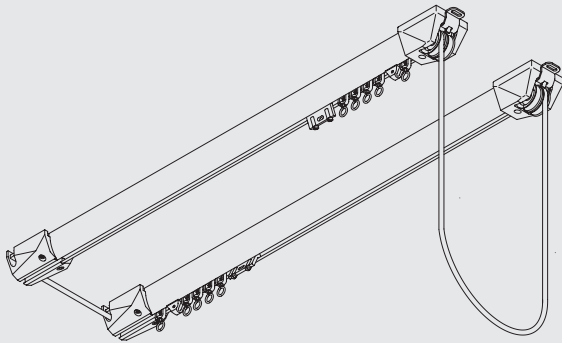
Maximum curtain weight chart

	3 m	6 m	9 m	12 m	15 m
	65	60	55	50	46
	70	65	60	55	50
	48	43	35	30	25
	54	48	40	35	30
	38	33	26	22	18
	43	38	33	28	22
	24	14	5	-	-
	27	19	10	-	-

(kg max.)

System Options

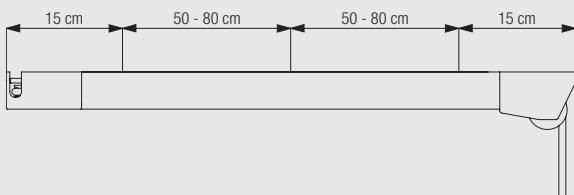
Parallel system 6202



Used as parallel system with one cord pull only and infinite overlap it is ideal for stages. Refer to Fitting Options for fixing instructions.

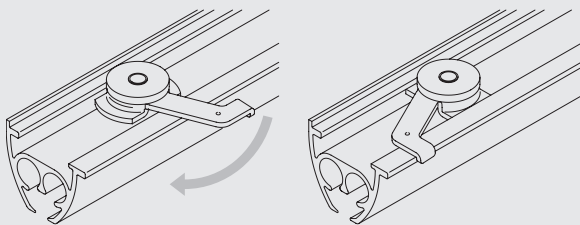
Fitting Information

Bracket and profile positioning



The fixing distances above are meant as a guide only, they may vary in practice depending on surface and curtain weight. For particularly heavy curtains it is recommended that the maximum fixing distance is 600mm.

Fixing of clamp 6209



Allow about 20mm clearance from the wall for clamp rotation.

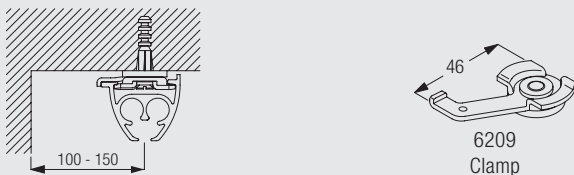
Higher edge of profile to the room side.



6200

Fitting Options

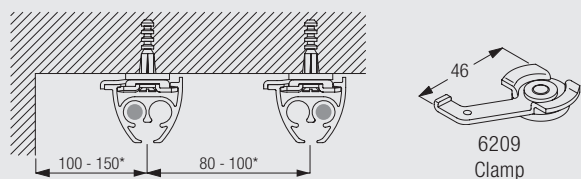
Ceiling fix with clamp 6209



Higher edge of profile to the room side / clamp arm to the window.

The final distances may be outside of the recommendations above depending on curtain heading, make-up and any obstructions.

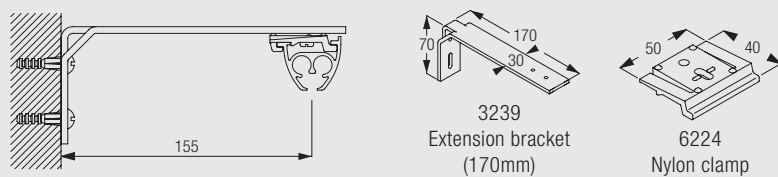
Ceiling fix parallel system with clamp 6209



Higher edge of profile to the room side / clamp arm to the window.

The final distances may be outside of the recommendations above depending on curtain heading, make-up and any obstructions.

Wall fix with bracket 3239 and bracket 6224



Brackets are threaded for screws 6798 (M4 x 12)

Standard Accessories

0998	Safety Cord Retainer		6007	Endstop	
6070	Cord (ø 6mm)		6079	Overlap arm	
6098	Roller glider with eye		6209	Clamp	
6210	Profile		6226	End support	
1128C	Countersunk screw		1148R	Round head screw	

Sets

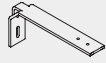
6206	Cord guide set, containing		6207	Cord guide	1	
			6208	Cord guide	1	
			6214	Adjustable pilot (white)	1	
			6226	End support	1	

6227 Master pilot runner (grey) 1



Optional Accessories

3239 Extension bracket (170mm)



3799 Cord Tidy



5829 2 hole fixing plate



6094 Roller glider with hook



6203 Connecting bridge



6224 Nylon clamp



6228 Double fixing plate



6230 Mask



6575 Cord tensioner



6578 Floor plate



6798 Screw

Sewing Information and Accessories

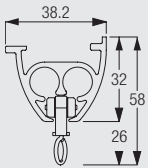


Diagram uses standard roller glider 6098 measured to the inside of the glider eye. For optional rollers substitute the dimensions below:

6094 = 31mm



3582 Hook



3599 Hook



www.bradingfabrication.com

Brading Fabrication Limited
3204 Yonge Street
Toronto, ON, Canada
M4N 2L2

Tel: 416-488-6600
Fax: 416-488-9821
info@bradingfabrication.com