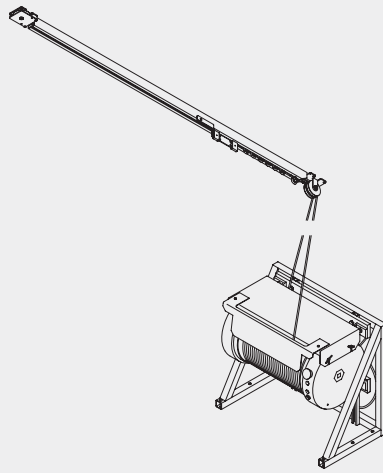


# Electrically Operated Drapery Track Systems



# Electrically Operated Drapery Track System

## Silent Gliss® 5800



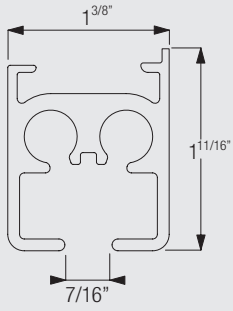
### Product Information

- Motorized drapery track system for contract applications.
- The 5800 is with its strong and bendable profile the perfect system for very large and heavy installations in a professional environment (stages, etc.).
- For applications of up to 196 ft length (straight with double stack).
- The max. drapery weight is 617 lbs. See also separate maximum drapery weight chart.
- Extremely wide choice of stacking and bending options including multiple stacking. For symmetric applications.
- Large and attractive fabric offer.
- Profiles can be mounted in parallel for increased overlap.
- Non-stretch steel core rope in internal channels.
- Floor or wall mounting of motor possible.
- Exceptionally neat profile compared to size of system.
- Standard colors: anodized aluminum or white powder coated.
- Smooth, silent and fast operation (8in/sec).
- The system 5800 comes equipped with the strong (200Nm), reliable and precision engineered Swiss motor 5805. (230V ,110V or 100V)
- Automatic limit switches and built-in thermal overload.
- Emergency stop button. Manual operating possible in case of power failure.
- Supplied complete with motor connected.
- Can be combined with Radio Remote Control System Silent Gliss 9940.



5800

## Profile and Bending Information

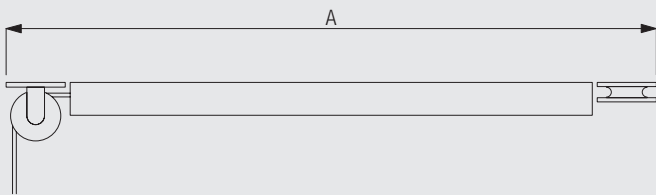


5810



Min. bending radius 20"

## How to measure



A: system width

## Parallel Mounting of Profiles

For better overlapping of the curtains, two profiles can be mounted in parallel. Therefore, a minimum distance of 3" must be observed between center parts of the return pulleys.

## System Dimensions



5800



200 ft



600 lbs

## Max. Drapery Weight Chart

	33 ft	66 ft	100 ft	130 ft	165 ft	200 ft
	540	500	460	-	-	-
	600	555	515	475	435	400
	410	380	350	-	-	-
	420	400	375	350	330	310
	300	280	265	-	-	-
	310	290	275	255	240	220
	155	145	130	-	-	-
	165	150	135	120	100	88
	120	100	88	-	-	-
	130	125	120	112	105	99

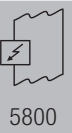
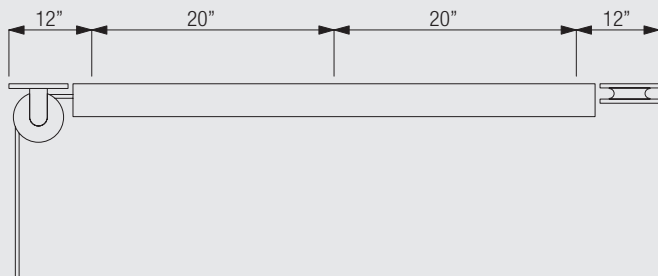
(lbs max)

It is essential with electrically-operated drapery tracks to choose a system which can readily cope with the specific demands to be placed on it. The most crucial factor is the total weight of the draperies to be transported by it but then come further questions such as how the curtains are to stack, are there bends involved, ceiling or wall mount, the type of curtain heading etc. Multiple applications with equally wide curtain stacks are also possible.

## Mounting Information

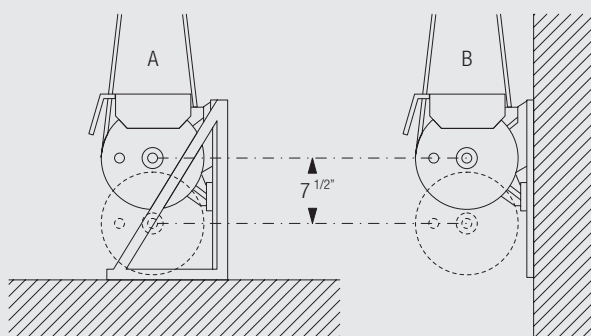
For all electrically operated drapery track systems, a connection point should be made available at a distance of no greater than 1 foot from the motor. This should be discreetly situated behind the drapery taking care that the motor will not obstruct access to the socket.

## Bracket and Profile Positioning



This motor is enormously strong and both fixing points and ceiling must be accordingly solid. Wood soffit at least 2" thick over complete length of track is recommended.

## Mounting of motor

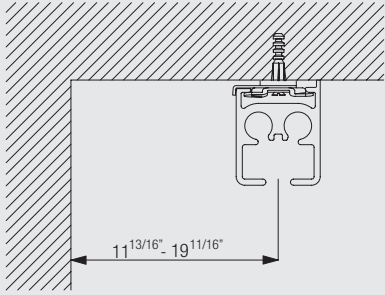


A: Floor Mounting (Optional)  
B: Wall Mounting (Standard)

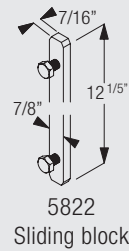
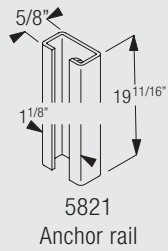
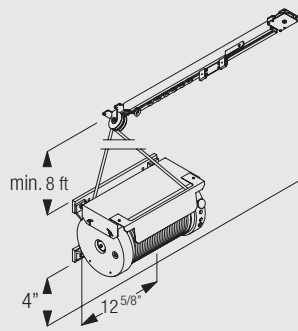
The steel core rope is tensioned by using the motor weight. Vertical variation possible up to 8".

## Mounting Options

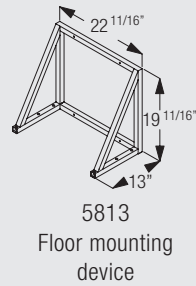
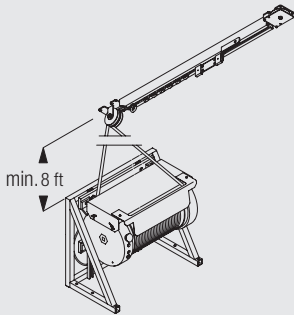
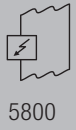
### Ceiling mounting of track with clamp 6209



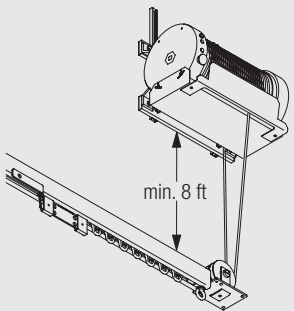
### Wall mounting of motor with 5821/5822



### Floor mounting of motor with frame 5813

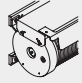
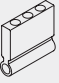


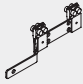


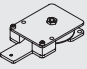







### Motor mounting above track



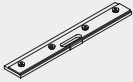

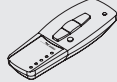

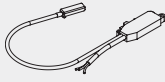

## Standard Accessories

### Single Parts

5805	Motor		5806	Pilot runner	
5809	Roller		5810	Profile	
5811	Overlap arm		5813	Floor mounting device	
5814	Steel wire rope		5815	Cord guide return	
5816	Cord guide		5821	Anchor rail	
5822	Sliding block		5824	Endstop	
6209	Clamp				

## Optional Accessories

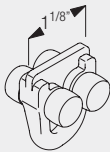
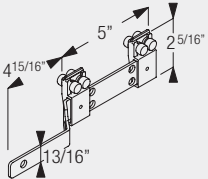
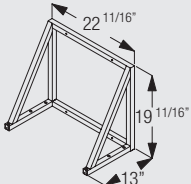
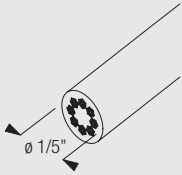
### Single Parts

6203	Connecting bridge		9941	Remote Transmitter, 1 channel	
9942	Remote Transmitter, 5+1 channel		9943	Remote Wall Switch	
9945	Remote Receiver		9948	Remote Wall Switch with Timer	

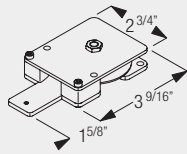


5800

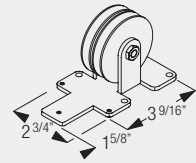
## Useful Measures

5809	Roller		5811	Overlap arm	
5813	Floor mounting device		5814	Steel wire rope	

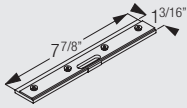
5815 Cord guide return



5816 Cord guide

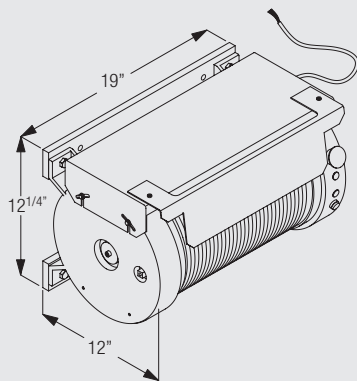


6203 Connecting bridge



## Motorization

### Motor Silent Gliss 5805



- Supplier: MicroMotor/Silent Gliss
- Torque: 200 Nm
- Voltage: 110 V
- Frequency: 60 Hz
- Power: 500 W
- Current: 5 A
- Speed: 15 rpm
- Thermal overload Protection
- CEE Standard
- Mechanical end stop
- Weight: 66 lbs

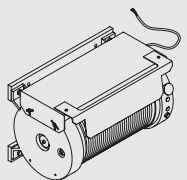
### Operating Methods



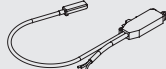
5800

The 5805 motor can be equipped with a fixed switch.

Radio Remote Control System Silent Gliss 9940



9945



9945

A

9941



9942



9943



9948



A: 230 V

One of the following transmitter can be used:

- 9941 Remote Transmitter, 1 channel, 915 MHz
- 9942 Remote Transmitter, 5+1 channel, 915 MHz
- 9943 Remote Wall Switch MemoTec with timer, 915 MHz
- 9948 Remote Wall Switch AstroTec with various functions, 915 MHz

Inside a sphere of 82 ft an indefinite numbers of motors can be controlled over 1 channel.

## Wiring and Connections

Important: Please refer to our website, [www.silentgliss-usa.com](http://www.silentgliss-usa.com).



5800

[www.silentgliss-usa.com](http://www.silentgliss-usa.com)

Silent Gliss USA Inc.  
1850 Beaver Ridge Circle, Suite A  
Norcross GA 30071

Phone: 770-466-4811  
Toll Free: 1-800-938-7225  
Fax: 770-466-4814  
[info@silentgliss-usa.com](mailto:info@silentgliss-usa.com)

[www.brading.com](http://www.brading.com)

Brading Specialty Shades  
3204 Yonge Street  
Toronto, ON M4N 2L2

Phone: 416-488-6600  
Toll Free: 1-866-BRADING  
Fax: 416-488-9821  
[info@brading.com](mailto:info@brading.com)