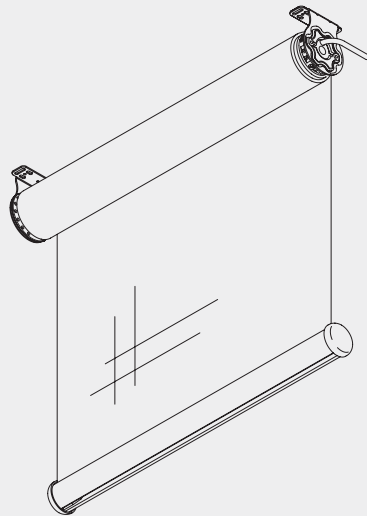


Roller Shade Systems



Motorized Roller Shade System

Silent Gliss® 4450



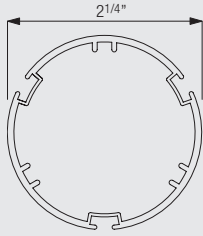
Product Information

- 110V motorized roller shade system
- May be controlled by wall switch or infrared remote control
- Shade can be stopped at any desired position
- Silent, totally maintenance free operation
- Available with aesthetically pleasing external aluminum bottom weight bar in clear anodized, custom painted or with weight bar inside fabric pocket
- Widths up to 98"
- Heights up to 192"
- Systems available with solar shading, room darkening or soft designer fabrics
- Wall, ceiling or recessed mounting
- 3 Year Warranty



4450

Profile and Specification Information



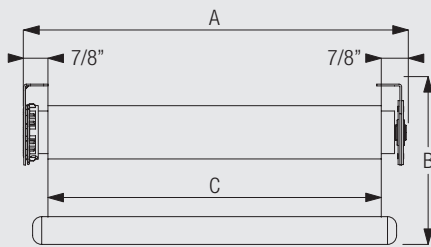
0872 Profile

Specification Guide

Silent Gliss 4450 motorized roller shade system with 56mm anodized aluminium headrail complete with 30 rpm tubular motor. Outside / inside recess fixing with 4451 / 4454 brackets. 4221 aluminium base bar in anodised aluminium or white.

How to Measure

Single system



A: system width - window reveal
B: system drop - window reveal
C: fabric with

Maximum Dimensions



98"



38"



192"



20



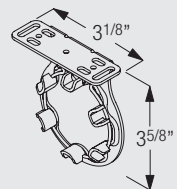
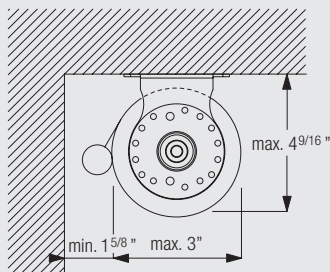
35lbs



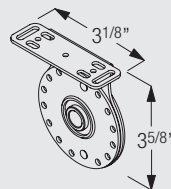
4450

Fitting Options

Ceiling mount

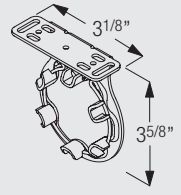
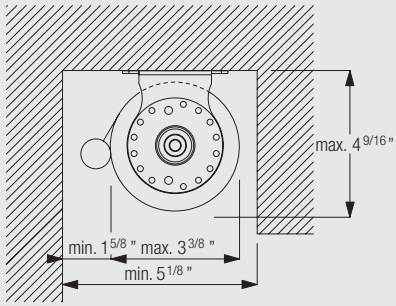


0870
Motor Side Bracket

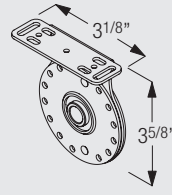


0871
Idle Bracket

Recess mount

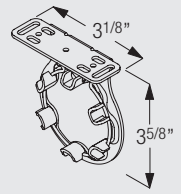
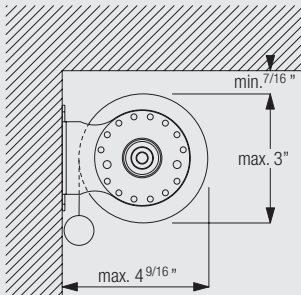


0870
Motor Side Bracket

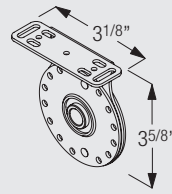


0871
Idle Bracket

Wall mount



0870
Motor Side Bracket



0871
Idle Bracket

Standard Accessories

0870 Idle Bracket



0871 Motor Side Bracket



0872 Profile



0876 32rpm Tubular motor



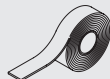
4221 Base Bar



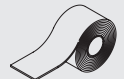
4224 Plastic strip (12mm)



4225 Double tape (12mm)



4226 Double tape (30mm)



4241 Weight bar end caps



4450

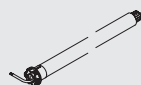


Optional Accessories

0343 Telis 1 RTS Transmitter

0344 Telis 4 RTS Transmitter

0877 RTS Motor



4903 Tear drop base bar

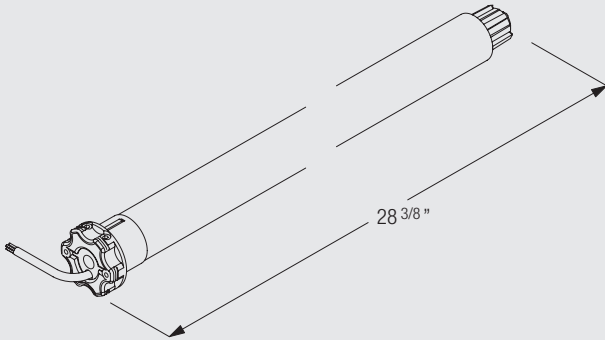


4944 End caps



Motorization - Roller Shade Motors

Motor Silent Gliss 0876



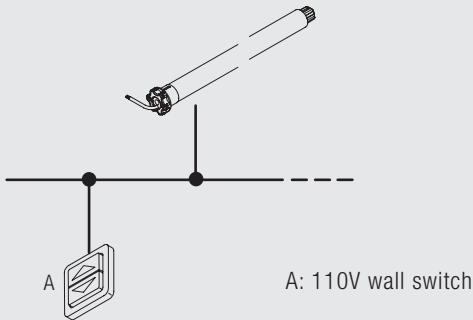
Torque: 4Nm
Voltage: 120V
Power: 110W
Current: 0.95A
Speed: 30rpm
Thermal overload protection
CEE Standard
Electronic end stop

Important: This motor cannot be wired in parallel.

For further information and wiring diagrams please contact our sales office.

Operating Methods

Fixed Wall switch



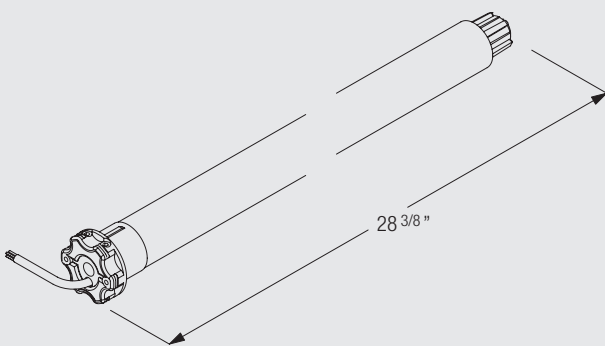
A

A: 110V wall switch



4450

Motor Silent Gliss 0877 - RTS Option



Torque: 4Nm
Voltage: 120V
Power: 110W
Current: 0.95A
Speed: 30rpm
Thermal overload protection
CEE Standard
Electronic end stop

Important: This motor can be wired in parallel.

For further information and wiring diagrams please contact our sales office.

www.silentgliss-usa.com

Silent Gliss USA Inc.
1850 Beaver Ridge Circle, Suite A
Norcross GA 30071

Phone: 770-466-4811
Toll Free: 1-800-938-7225
Fax: 770-466-4814
info@silentgliss-usa.com

www.brading.com

Brading Specialty Shades
3204 Yonge Street
Toronto, ON M4N 2L2

Phone: 416-488-6600
Toll Free: 1-866-BRADING
Fax: 416-488-9821
info@brading.com